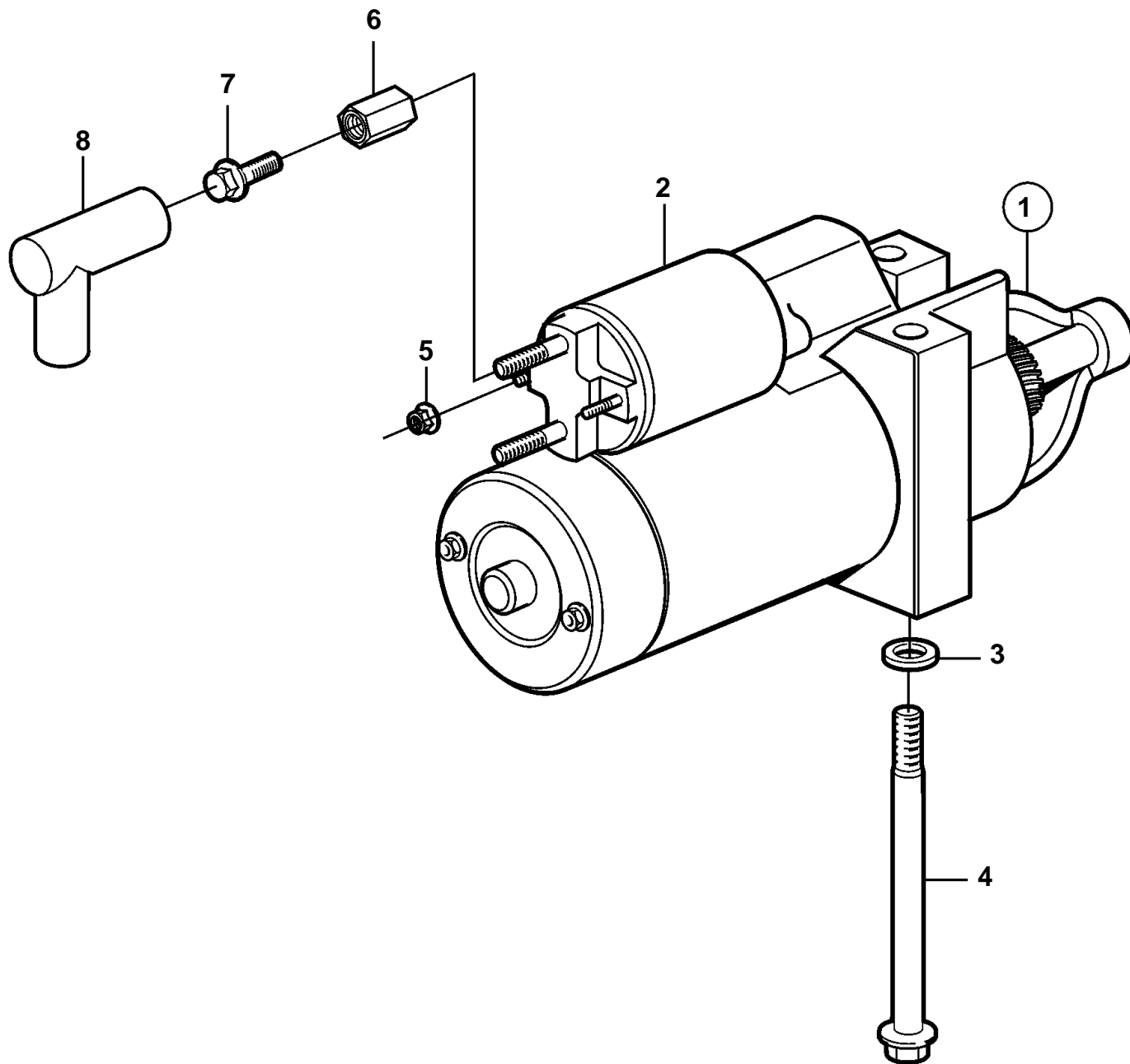


4.3GL-G, 4.3GL-GF



20931

