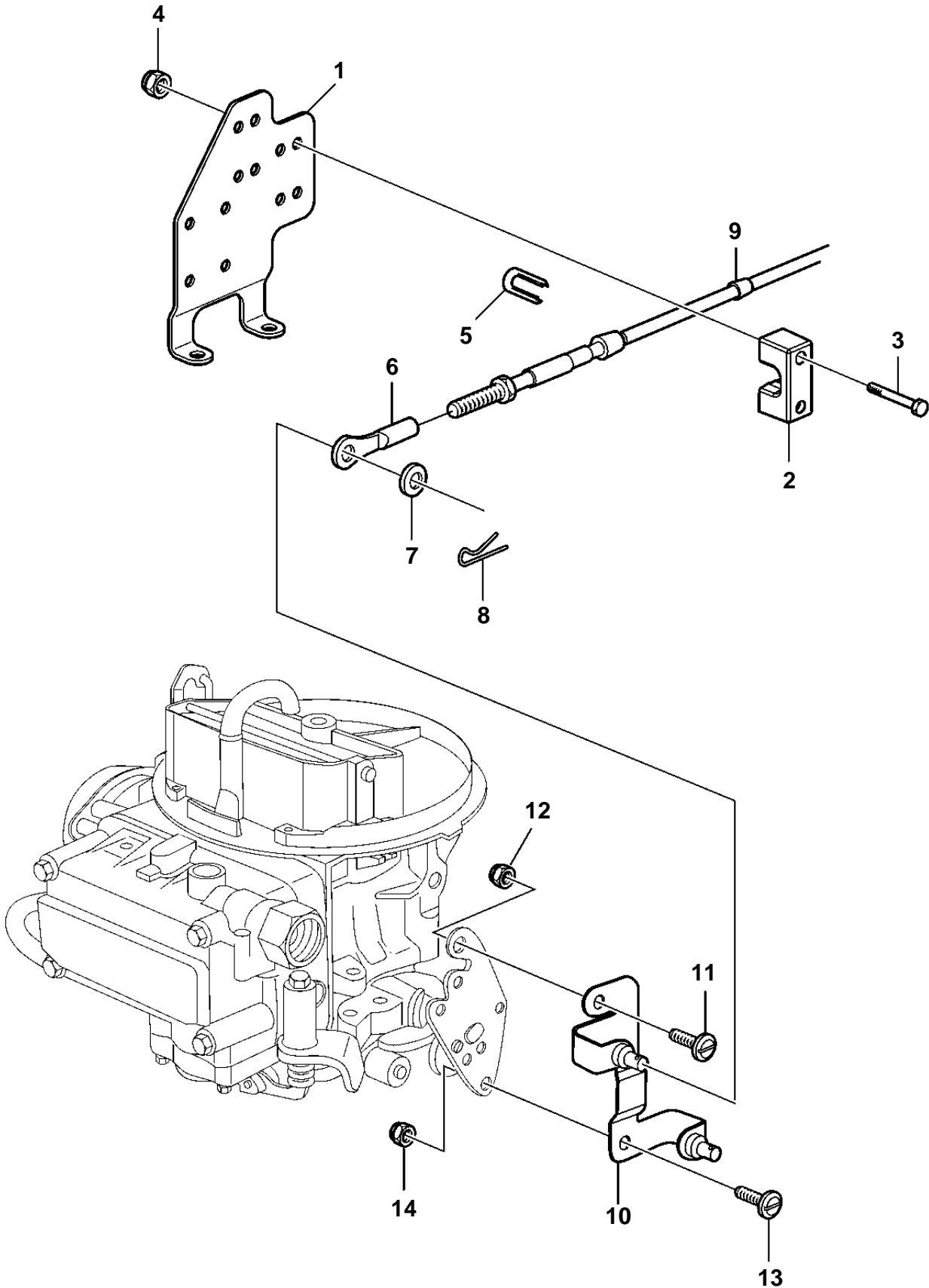


4.3GL-D



4.3GL-D

REF	PART NO.	QTY	DESCRIPTION
1	3860811	1	Bracket
2	3850266	1	Anchorage
3	3852048	1	Screw
4	3852118	1	Nut
5	3852019	1	Retainer
6	3850941	1	Adapter
7	3852193	1	Washer
8	3852052	1	Cotter pin
9		X	Cable
10	3850232	1	Lever
11	3852154	1	Screw
12	3852118	1	Nut
13	3852154	1	Screw
14	3852118	1	Nut