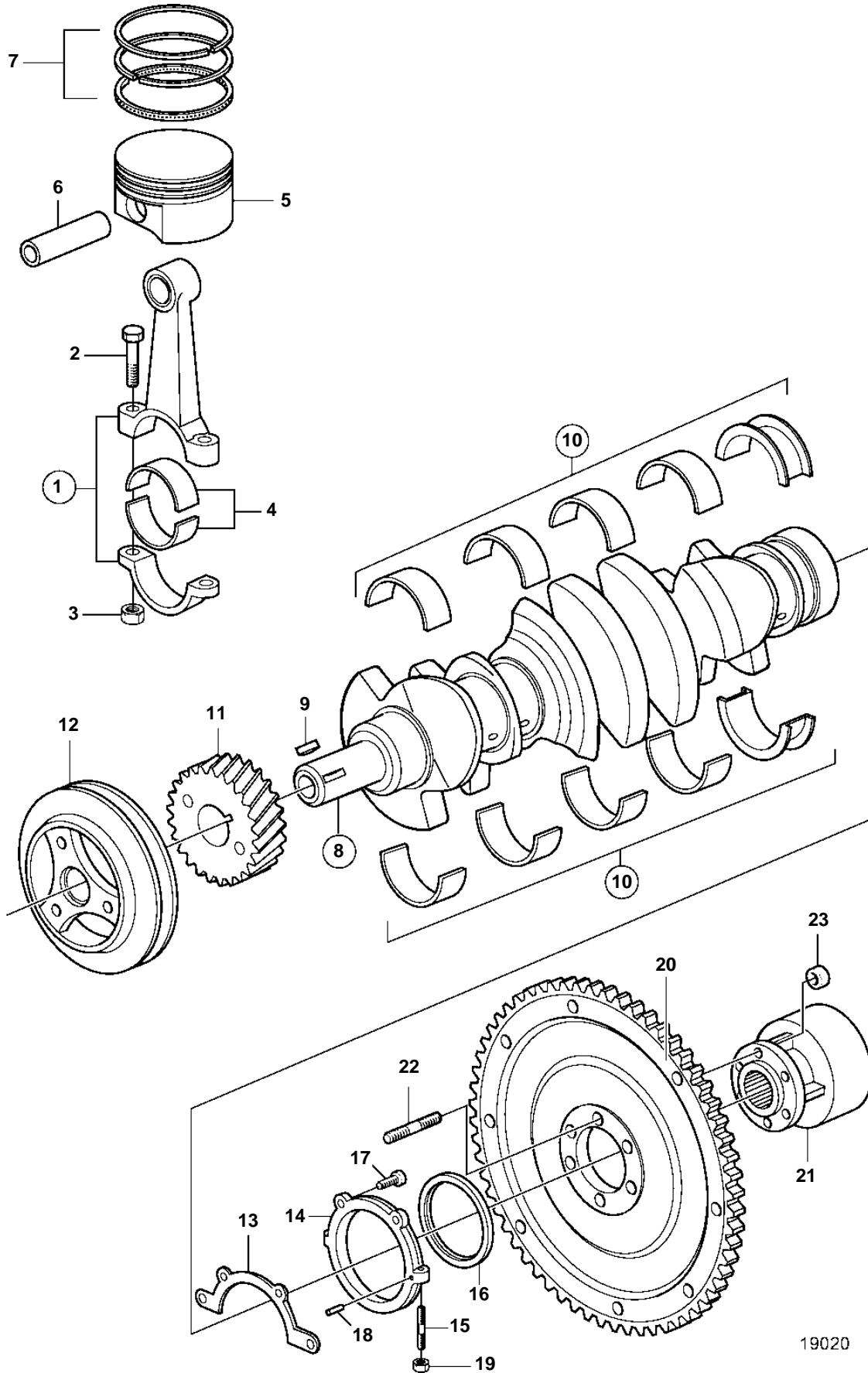


3.0GLM-C, 3.0GLP-C



## 3.0GLM-C, 3.0GLP-C

REF	PART NO.	QTY	DESCRIPTION	NOTES
1	3853957	4	Connecting rod	
2	3853162	8	• Screw	
3	3853413	8	• Nut	
4	3858954	4	Big end bearing kit	
5	3853340	4	Piston	STD
	3853477	X	Piston	O.S=0.020"(0.51mm)
6		4	• Piston pin	
7	3853960	4	Piston ring kit	STD
	3854252	X	Piston ring kit	O.S=0.020"(0.51mm)
8	3858953	1	Crankshaft	
9	3852663	1	Woodruff key	
10	3856731	1	Main bearing kit	STD
	3856732	X	Main bearing kit	U.S=0.010"(0.25mm)
	3856733	X	Main bearing kit	U.S=0.020"(0.51mm)
	3856734	X	Main bearing kit	U.S=0.030"(0.76mm)
11	3852661	1	Gear	
12	3852662	1	Vibration damper	
13	3852656	1	Gasket	
14	3855820	1	Housing	
15	3853202	2	• Stud	
16	3852657	1	• Seal	
17	3857901	2	Screw	L=1.38"(35mm)
	3853339	2	Screw	L=0.75"(19mm)
18	3856140	1	Pin	
19	3853168	2	Nut	
20	3858658	1	Flywheel	
	3855970	1	• Gear ring	
21	3854032	1	Rubber coupling	
22	3862516	6	Stud	
23	3853273	6	Lock nut	