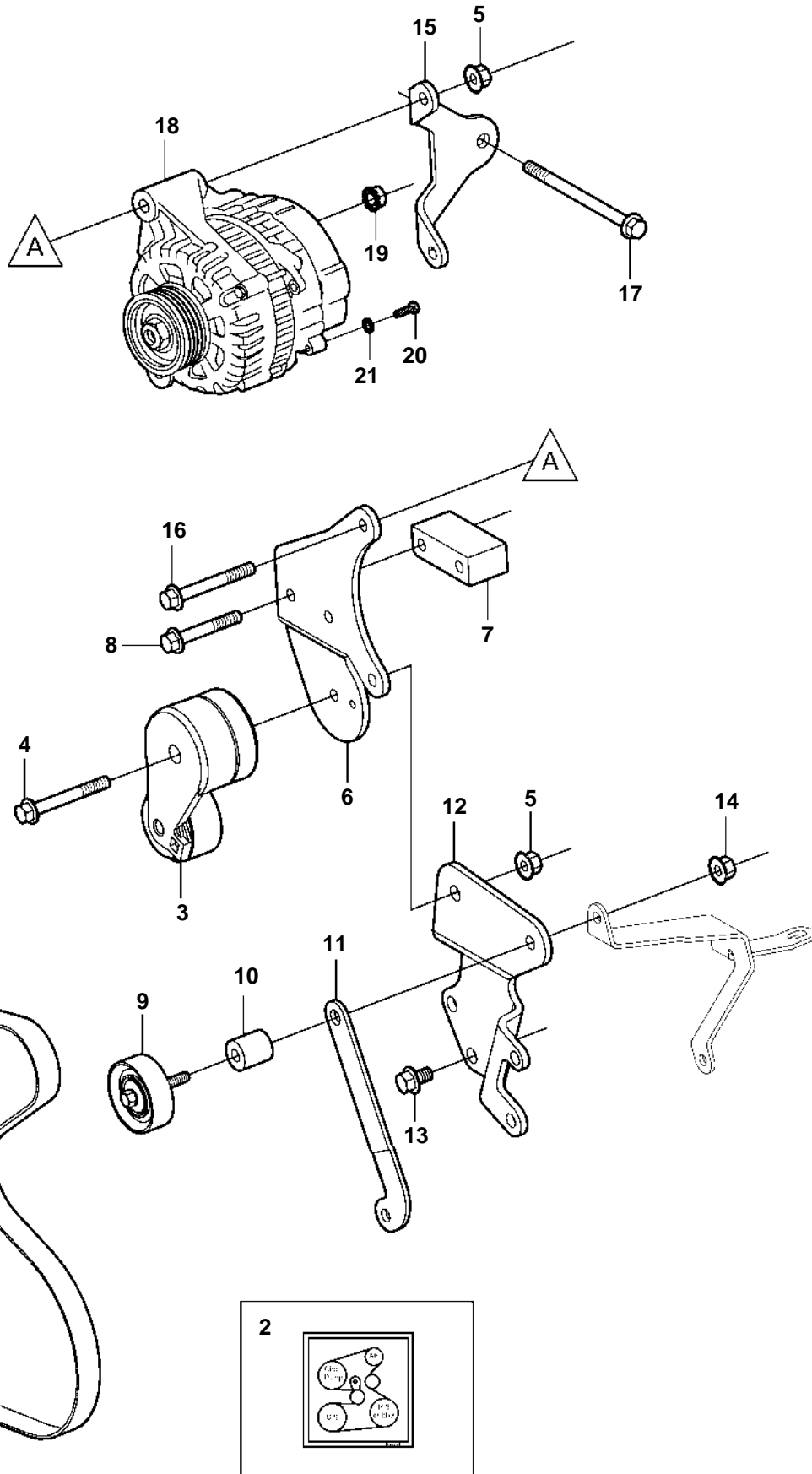


3.0GLP-C



3.0GLP-C

| REF | PART NO. | QTY | DESCRIPTION | NOTES |
|-----|----------|-----|------------------------|--------------------------|
| 1 | 3586325 | 1 | Drive belt | |
| 2 | 3860382 | 1 | Decal | |
| 3 | 3860091 | 1 | Belt tensioner | |
| 4 | 3853367 | 1 | Screw | |
| 5 | 3857181 | 3 | Flange lock nut | |
| 6 | 3860096 | 1 | Bracket | |
| 7 | 3587818 | 1 | Spacer | |
| 8 | 3860499 | 2 | Screw | |
| 9 | 3860212 | 1 | Pulley | |
| 10 | 3860481 | 1 | Spacer | |
| 11 | 3860480 | 1 | Brace | For power steering pump. |
| 12 | 3860094 | 1 | Bracket | |
| 13 | 3853558 | 2 | Flange screw | |
| 14 | 971098 | 1 | Flange lock nut | |
| 15 | 3860097 | 1 | Bracket | |
| 16 | 3860169 | 2 | Screw | |
| 17 | 3853430 | 1 | Screw | For exhaust manifold. |
| 18 | 3862665 | 1 | Alternator | |
| 19 | 945408 | 1 | Flange nut | |
| 20 | 3852208 | 1 | Screw | |
| 21 | 3852520 | 1 | Washer, external tooth | |