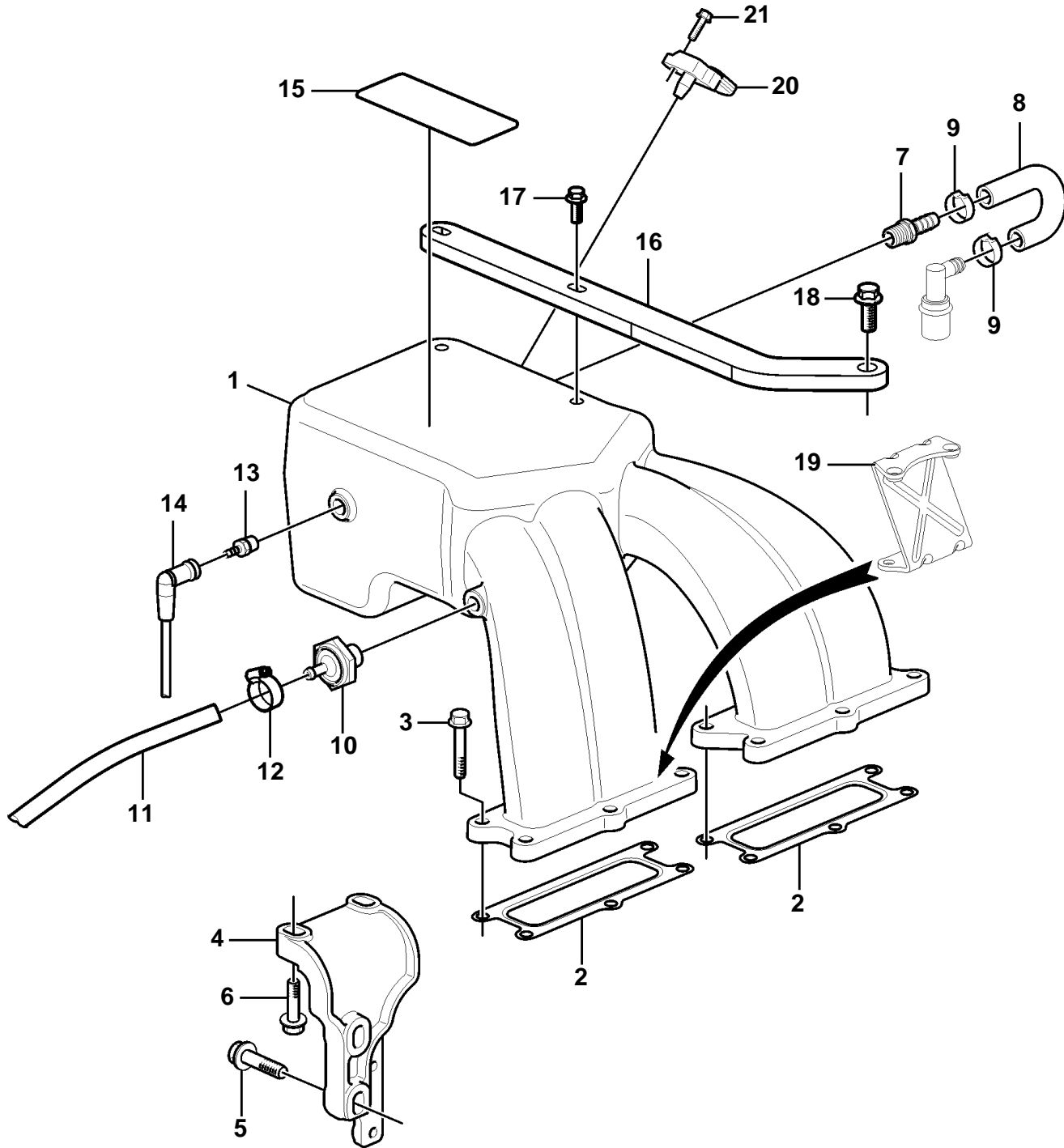


3.0GXiC-J, 3.0GXi-J



## 3.0GXIC-J, 3.0GXi-J

REF	PART NO.	QTY	DESCRIPTION	SEE SEC.	NOTES
1	3848839	1	Inlet pipe		
2	3887572	2	Gasket		
3	969986	10	Flange screw		
4	21121762	1	Bracket		
5	3853393	2	Screw		
6	948336	2	Flange screw		
7	3593919	1	Hose nipple		
8	3595111	1	Hose		
9	982663	2	Hose clamp		
10	3860290	1	Nipple		
11	3860085	1	Hose		
12	3860413	2	Hose clamp		
13	3593921	1	Hose nipple		
14	3888172	1	Hose		
15		1	Decal		3.0GXi
16	21290944	1	Connecting bar		
17	947542	2	Flange screw		
18	946472	1	Flange screw		
19		1	Bracket	35210	
20		1	Sensor	35064	
21		1	Screw	35064	