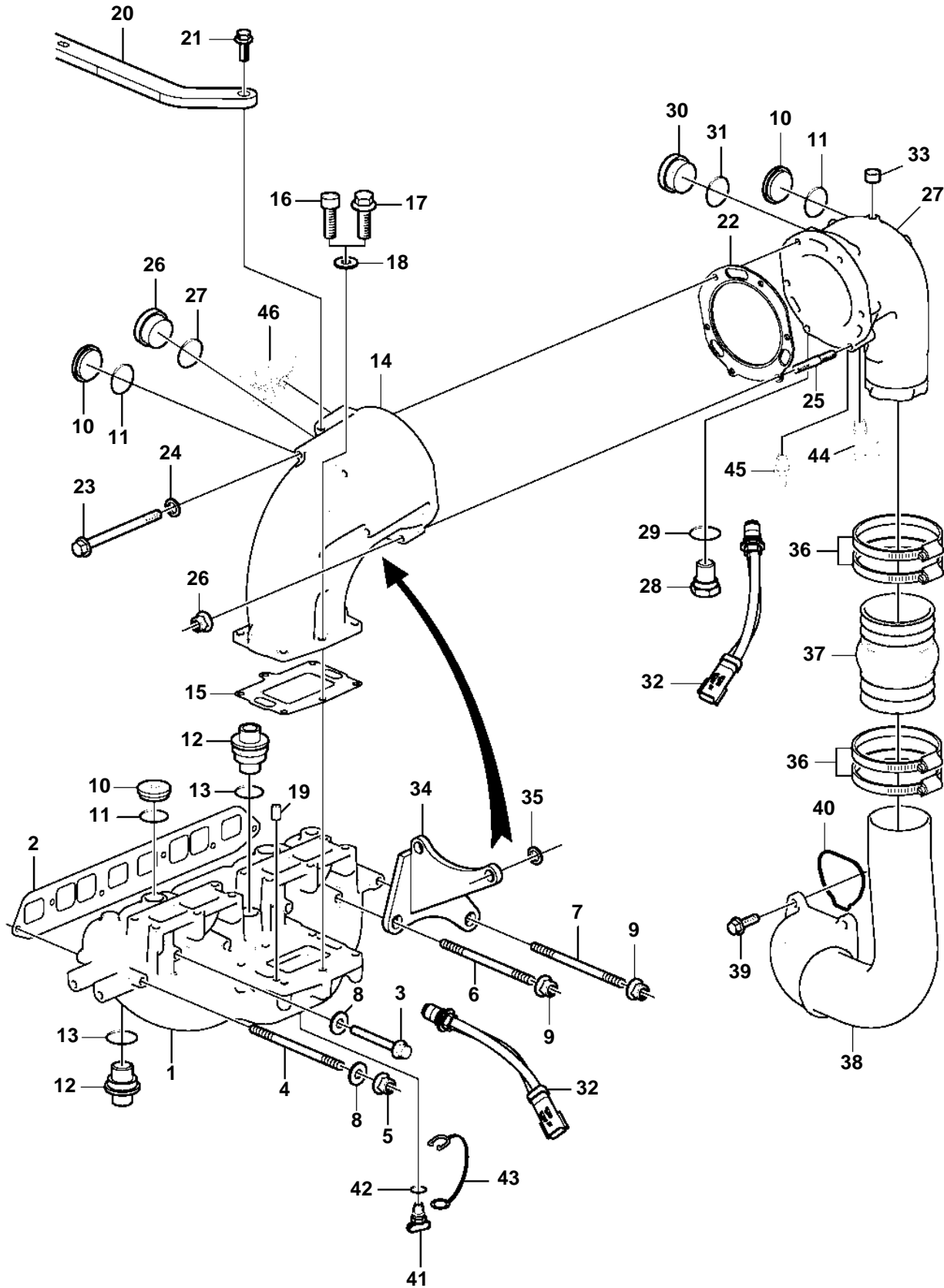


3.0GXi-J



3.0GXi-J

| REF | PART NO. | QTY | DESCRIPTION | SEE SEC. |
|-----|----------|-----|-------------------|----------|
| 1 | 3848837 | 1 | Exhaust manifold | |
| 2 | 3853256 | 1 | Gasket | |
| 3 | 3853430 | 2 | Screw | |
| | 3860519 | 1 | Screw | |
| 4 | 3853378 | 1 | Stud | |
| 5 | 3853404 | 1 | Nut | |
| 6 | | 1 | Stud | |
| 7 | | 1 | Stud | |
| 8 | 980933 | 5 | Washer | |
| 9 | 3857181 | 2 | Flange lock nut | |
| 10 | 21178107 | 5 | Plug | |
| 11 | | 5 | · O-ring | |
| 12 | 21194277 | 3 | Anode | |
| 13 | | 3 | · O-ring | |
| 14 | 3848841 | 1 | Exhaust riser | |
| 15 | 3887574 | 1 | Gasket | |
| 16 | 21217923 | 6 | Hex. socket screw | |
| 17 | | 6 | Flange screw | |
| 18 | 21217926 | 6 | Washer | |
| 19 | | 2 | Pin | |
| 20 | 21290944 | 1 | Connecting bar | 35254 |
| 21 | 946472 | 1 | Flange screw | |
| 22 | 40005439 | 3 | Gasket | |
| 23 | 968893 | 4 | Flange screw | |
| 24 | 941907 | 4 | Spring washer | |
| 25 | 953060 | 2 | Stud | |
| 26 | 945408 | 2 | Flange nut | |
| 27 | 3848531 | 1 | Elbow pipe | |
| 28 | 21194290 | 1 | Anode | |
| 29 | 980998 | 1 | · O-ring | |
| 30 | 960632 | 2 | Plug | |
| 31 | 977751 | 2 | Gasket | |
| 32 | 3889526 | 2 | Sensor | |
| 33 | 3850740 | 1 | Plug | |
| 34 | | 1 | Plug | |
| 35 | 941670 | 2 | Washer | |
| 36 | 3863442 | 4 | Hose clamp | |
| 37 | 3863450 | 1 | Bellows | |
| 38 | 3889992 | 1 | Exhaust pipe | |
| 39 | 3841928 | 4 | Screw | |
| 40 | 3841013 | 1 | Gasket | |
| 41 | 21194285 | 1 | Anode | |
| 42 | 976970 | 1 | O-ring | |
| 43 | 3849892 | 1 | Retainer | |
| 44 | | 1 | Fitting | 35210 |
| 45 | | 1 | Fitting | 35196 |
| 46 | | 1 | Thermostat | 35210 |