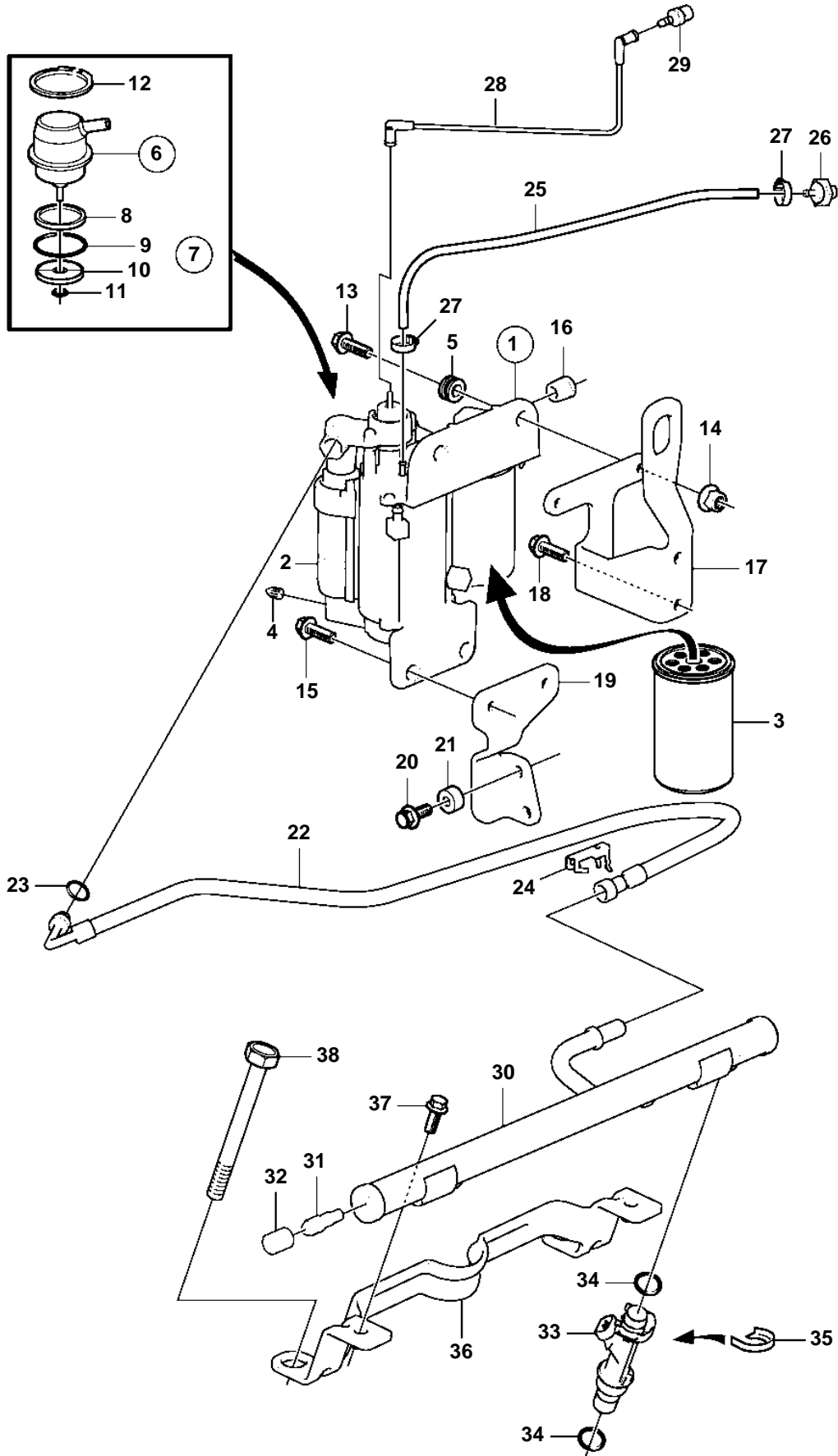


3.0GXic-J, 3.0GXi-J



24573

3.0GXiC-J, 3.0GXi-J

REF	PART NO.	QTY	DESCRIPTION	NOTES
1	21364759	1	Kit	Also includes 1 ea. o-ring, 3850424 (ref 23). High pressure fuel pump
2	3817328	1	• Service kit	
3	3847644	1	• Filter	
4	3853616	1	• Protective cap	
5	3861396	4	• Rubber bushing	
6	21148935	1	• Pressure regulator	
7	3861268	1	• Sealing kit	
8		1	• • Seal	not sold separately
9		1	• • O-ring	not sold separately
10		1	• • Filter	not sold separately
11		1	• • O-ring	not sold separately
12		1	• • Snap ring	not sold separately
13	946472	2	• Flange screw	
14	971098	2	• Flange lock nut	
15	982702	2	Flange screw	
16	3857816	1	Bushing	
17	21148231	1	Bracket	
18	3860834	2	Screw	
19	21148234	1	Bracket	
20	3860163	2	Screw	
21		2	Spacer	
22	3888176	1	Fuel hose	
23	3850424	1	• O-ring	
24	3887198	1	Locking clip	
25	3860085	1	Hose	
26	3860290	1	Nipple	
27	3860413	2	Hose clamp	
28	3888172	1	Hose	
29	3593921	1	Hose nipple	
30		1	Fuel pipe	
31		1	• Valve	
32		1	• Cap	not sold separately
33		4	Injector	
34		1	Kit, Seal	
35		4	Clip	
36		1	Bracket	
37		2	Screw	
38		1	Screw	
		1	Screw	