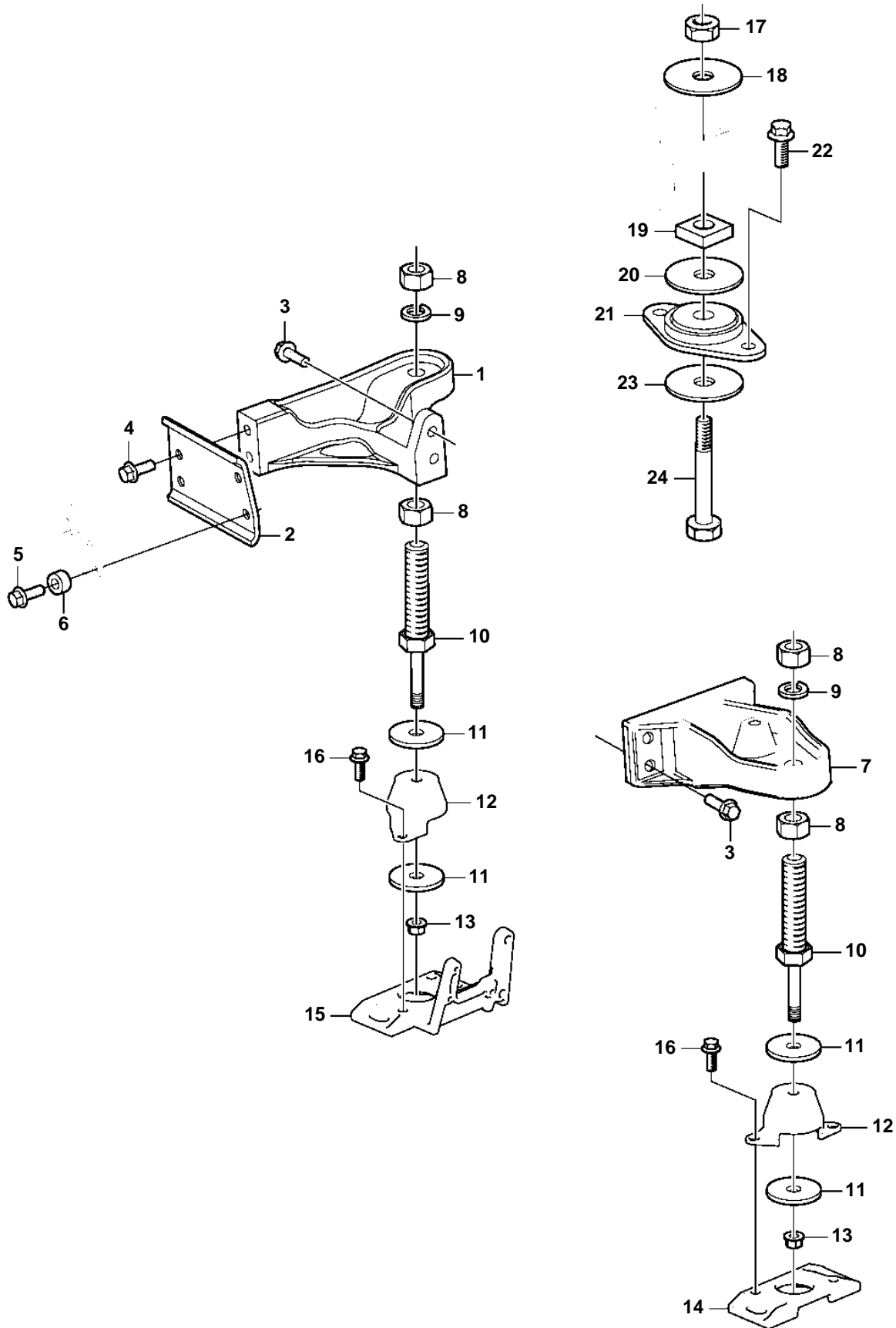


3.0GXic-J, 3.0GXi-J



3.0GXiC-J, 3.0GXi-J

REF	PART NO.	QTY	DESCRIPTION	NOTES
1	3860089	1	Bracket	Starboard
2	3860272	1	Bracket	
3	3860582	5	Screw	
4	3860163	2	Screw	
5	3860582	2	Screw	
6		2	Spacer	
7	3818512	1	Bracket	Port
8	3852021	2	Nut	
9	3852090	2	Spring washer	
10	21133434	2	Support	
11	947541	4	Washer	
12	21128677	2	Engine mountings	
13	3857181	2	Flange lock nut	
14	21130792	1	Adapter	Port
15	21129904	1	Adapter	Starboard
16	3595494	4	Screw	
17	3862657	2	Nut	
18	3852540	2	Washer	
19	3852539	2	Square nut	
20	3852622	2	Washer	
21	3853806	2	Rubber cushion	
22	3595401	4	Screw	
23	3852542	2	Washer	
24	3587962	2	Screw	