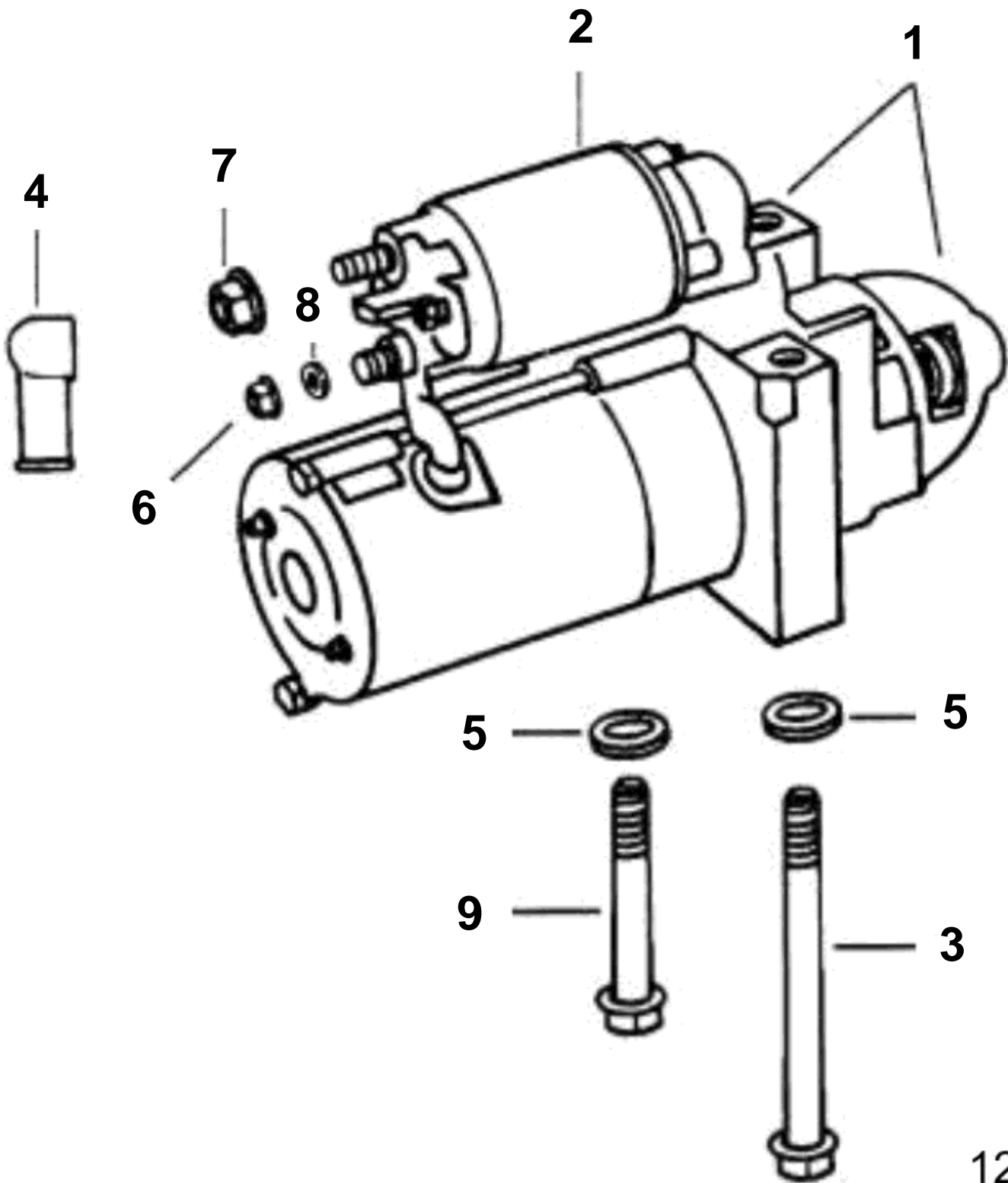


3.0GSMHUB, 3.0GSPHUB



12481

**3.0GSMHUB, 3.0GSPHUB**

REF	PART NO.	QTY	DESCRIPTION
1	3854750	1	Starter motor
2	3850216	1	· Solenoid
3	3854752	1	Screw, Starter, inboard
4	3852487	1	Protective cap, Battery cable
5	3854496	2	Washer, Screw, starter
6	3852518	1	Nut, Starter solenoid
7	3853714	1	Nut, Starter solenoid
8	3852520	1	Washer, Solenoid
9	3854871	1	Screw, Starter, outboard