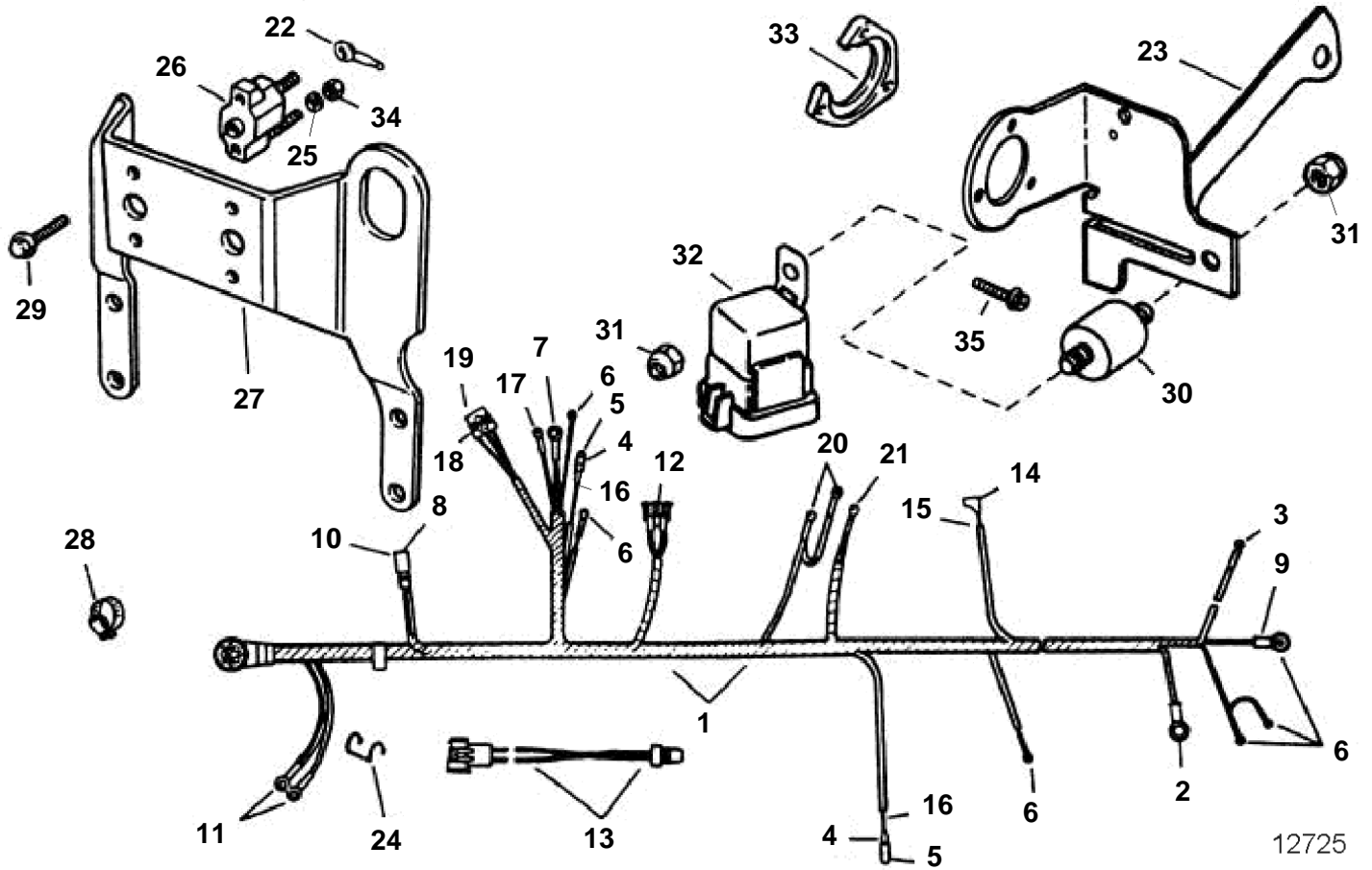


3.0GSMHUB, 3.0GSPHUB



12725

3.0GSMHUB, 3.0GSPHUB

REF	PART NO.	QTY	DESCRIPTION	NOTES
1	3850409	1	Cable harness	
2	3852036	1	Cable terminal, #10	
3	3852038	1	Cable terminal, 0.25	
4	3852244	2	Cable terminal, Socket	
5	3852181	2	Cap	
6	3852233	7	Cable terminal, #10	
7	3852037	1	Cable terminal, Battery	
8	3852229	1	Cable terminal, Pin, trim sender	
9	3852130	1	Rubber cap, Alternator	
10	3852249	1	Connector, 2 cont receptacle	
11	3852527	1	Cable terminal, 0.375	
12	3853974	1	Cable	
13	3854084	1	Cable, Distributor to ignition coil	
14	3852084	1	Cable terminal, Side receptacle	
15	3853320	1	Cover	
16	3852248	2	Cable sleeve, Socket, blue	
17		1	Cable terminal, #10	
18	3854192	1	Connector	
19	3852254	4	Cable terminal, Receptacle	
20	3852245	1	Cable terminal, #10	
21		1	Cable terminal, #10	
22		2	Cable terminal, #10	
23		1	Bracket, Connector & relay	
24	3852237	1	Retainer, Amphenol. trim sender, 2 terminal	
25	3852001	2	Lock washer, Circuit breaker terminals	
26	3854164	1	Breaker, 50A, tilt & trim	
	3854164	1	Breaker, 50A, engine	
27	3853374	1	Bracket, Lift & circuit breaker	
28	3853786	1	Clamp, Instrument cable connector	
29	3853620	2	Screw, Circuit breaker to bracket	Engine
	3853620	2	Screw, Circuit breaker to bracket	Tilt & trim
30	3850234	1	Isolator, Relay mounting	
31	3852118	1	Nut, Relay isolator to electrical bracket	
32	3854138	1	Relay, Starter motor	
33	3852825	1	Retainer, Engine cable	
34	3852064	2	Nut, Circuit breaker terminals	Engine
	3852064	2	Nut, Circuit breaker terminals	Tilt & trim
35	3852208	3	Screw, Retainer	Eng. cable end to brkt