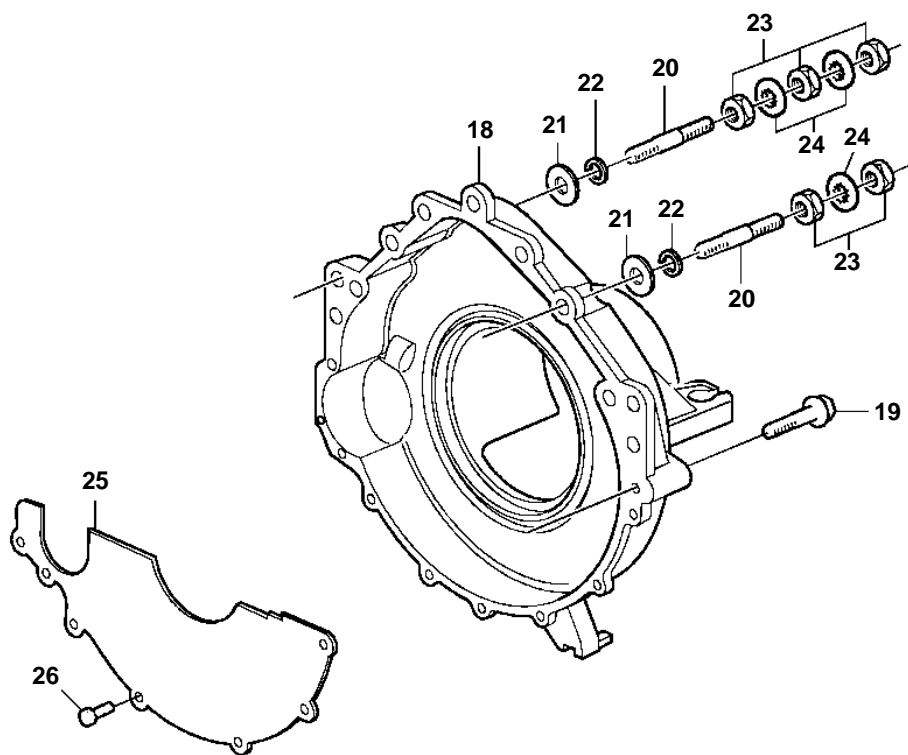
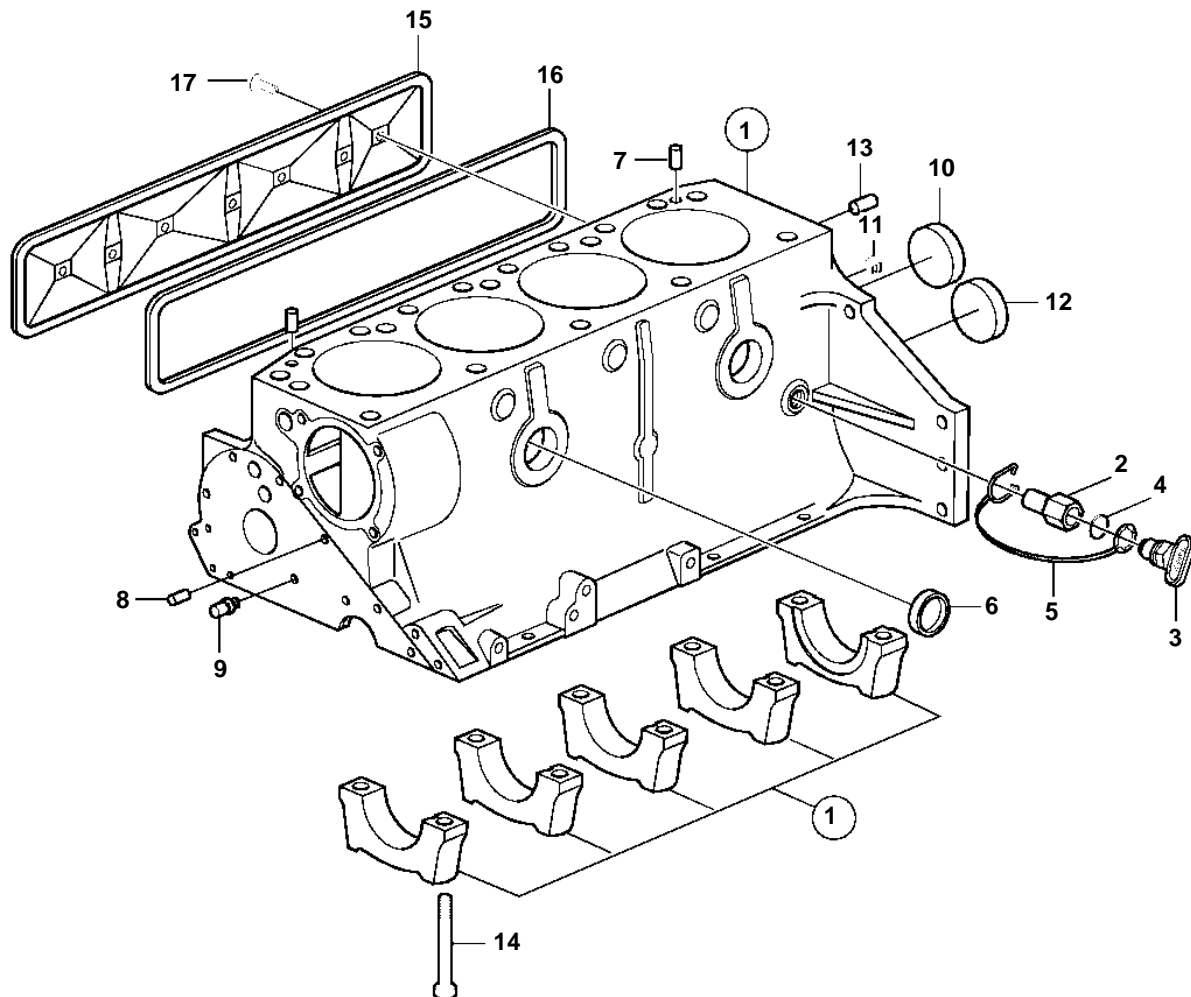


3.0GLP-J, 3.0GLP-N



23831

3.0GLP-J, 3.0GLP-N

REF	PART NO.	QTY	DESCRIPTION	NOTES
1		1	Cylinder block	See "Longblock" section
2	3849942	1	Fitting	
3	3849500	1	Plug	
4	976970	1	· O-ring	Not serviced
5	3849892	1	Retainer	
6	3852100	2	Core plug	
7	3853114	4	Locating pin	
8	3852743	1	Plug	
9	3853067	1	Nozzle	
10	3852101	1	Core plug	
11	856547	1	Plug	
12	3853209	1	Core plug	
13	3856001	2	Pin	
14		10	Bolt	
15	3853138	1	Cardboard tube	
16		X	Sealant, RTV	
17	3853955	4	Screw	
18	3808573	1	Flywheel housing	
19	3860582	2	Screw	L=1.25" (32mm)
	3853392	2	Screw	L=2.50" (64mm)
20	3843812	1	Stud	Port
	3850571	1	Stud	Starboard
21	980933	2	Washer	
22	3852002	2	Spring washer	
23		5	Nut	
24		3	Washer	
25	3854604	1	Cover	
26	3852421	4	Screw	