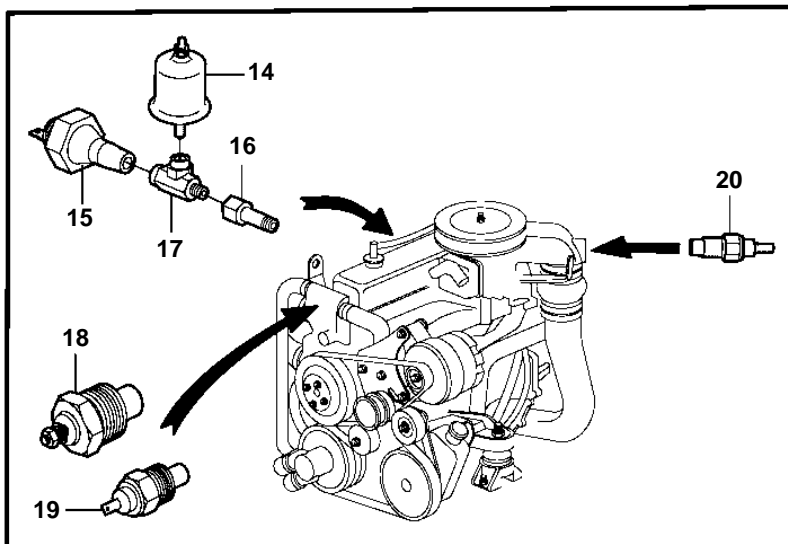
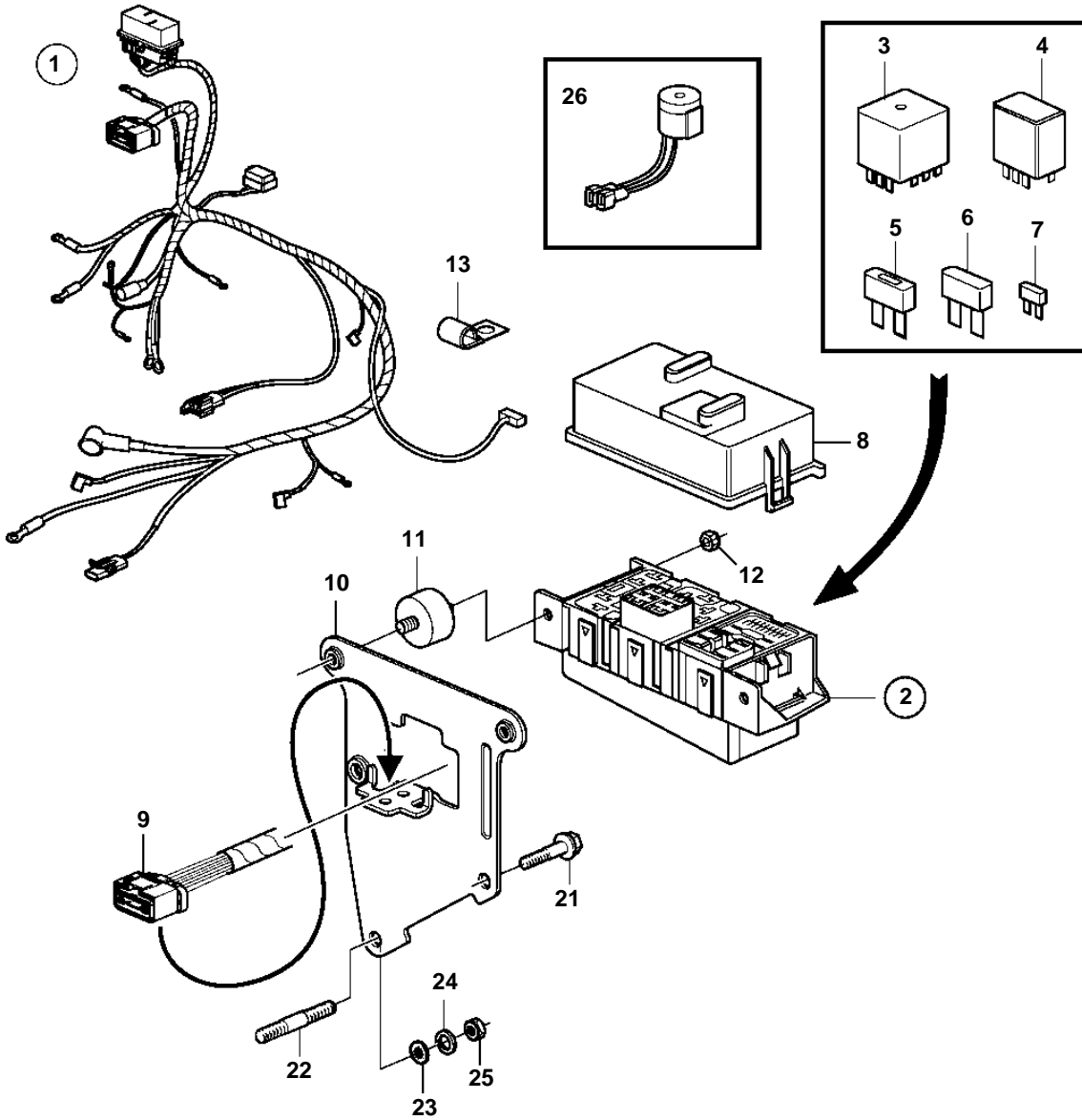


3.0GLP-J, 3.0GLP-N



23409

3.0GLP-J, 3.0GLP-N

REF	PART NO.	QTY	DESCRIPTION	NOTES
1	3884236	1	Wiring harness	
2		1	· Fuse box	not sold separately
3	3858809	3	· · Relay	
4	3841366	2	· · Relay	
5	3841369	1	· · Fuse	50A
6	3841370	1	· · Fuse	20A
	3841371	1	· · Fuse	40A
7	3841373	X	· · Fuse	5A
	3863403	X	· · Fuse	7.5A
	3841372	X	· · Fuse	10A
	3861373	X	· · Fuse	15A
	3861374	X	· · Fuse	20A
8		1	· Cover plate	not sold separately
9		1	· Connector, 14 pin	not sold separately
10	3884948	1	Bracket	
11	3840402	2	Mounting base	
12	3852118	2	Nut	
13	3852199	2	Clamp	
		1	Clamp	Exhaust sensor lead
	3852434	1	Clamp	Alternator lead
14	3857532	1	Oil pressure sensor, oil pressure	
	872064	X	Pressure sensor, oil pressure	Dual station
15	3852215	1	Sensor, oil pressure	
16	3855776	1	Adapter	
17	3852610	1	T-nipple	
18	3852029	1	Sensor, coolant water temp.	
	872068	X	Temperature sensor, coolant water temp.	Dual station
19	872066	1	Thermo monitor, coolant water temp.	
20	3862500	1	Temperature sensor	Exhaust
21	3860582	1	Screw	
22	3850571	1	Stud	
23	980933	1	Washer	
24	3852002	1	Spring washer	
25		1	Nut	
26	3817974	1	Alarm	