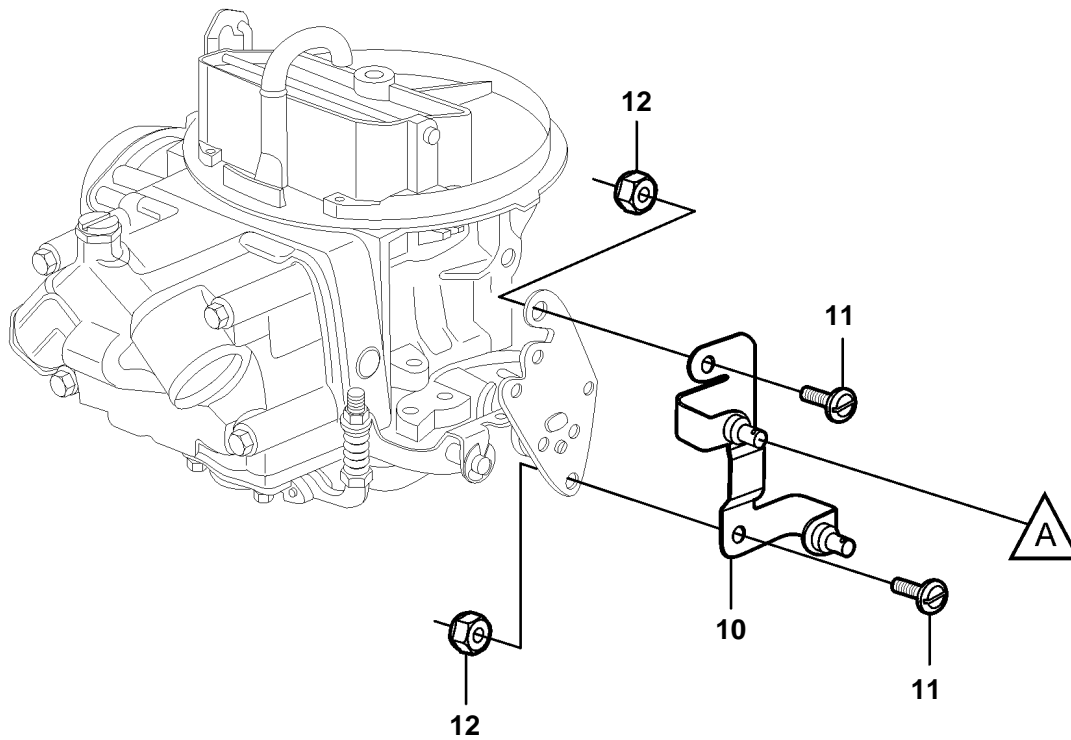
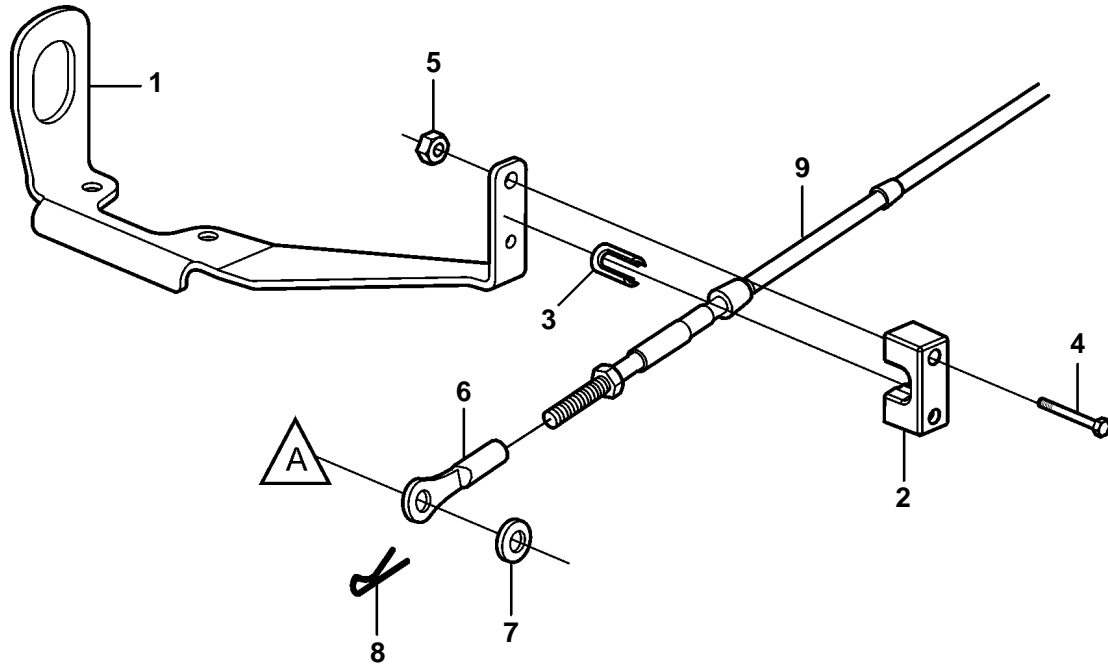


3.0GLP-D



3.0GLP-D

REF	PART NO.	QTY	DESCRIPTION	NOTES
1	3818678	1	Bracket	
	3862936	X	Bracket	3" RISER EXTENSION
2	3850266	1	Anchorage	
3	3852019	1	Retainer	
4	3852048	1	Screw	
5	3852118	1	Nut	
6	3850941	1	Adapter	
7	3852193	1	Washer	
8	3852052	1	Cotter pin	
9		X	Cable	
10	3854833	1	Lever	
11	3852154	2	Screw	
12	3852118	2	Nut	