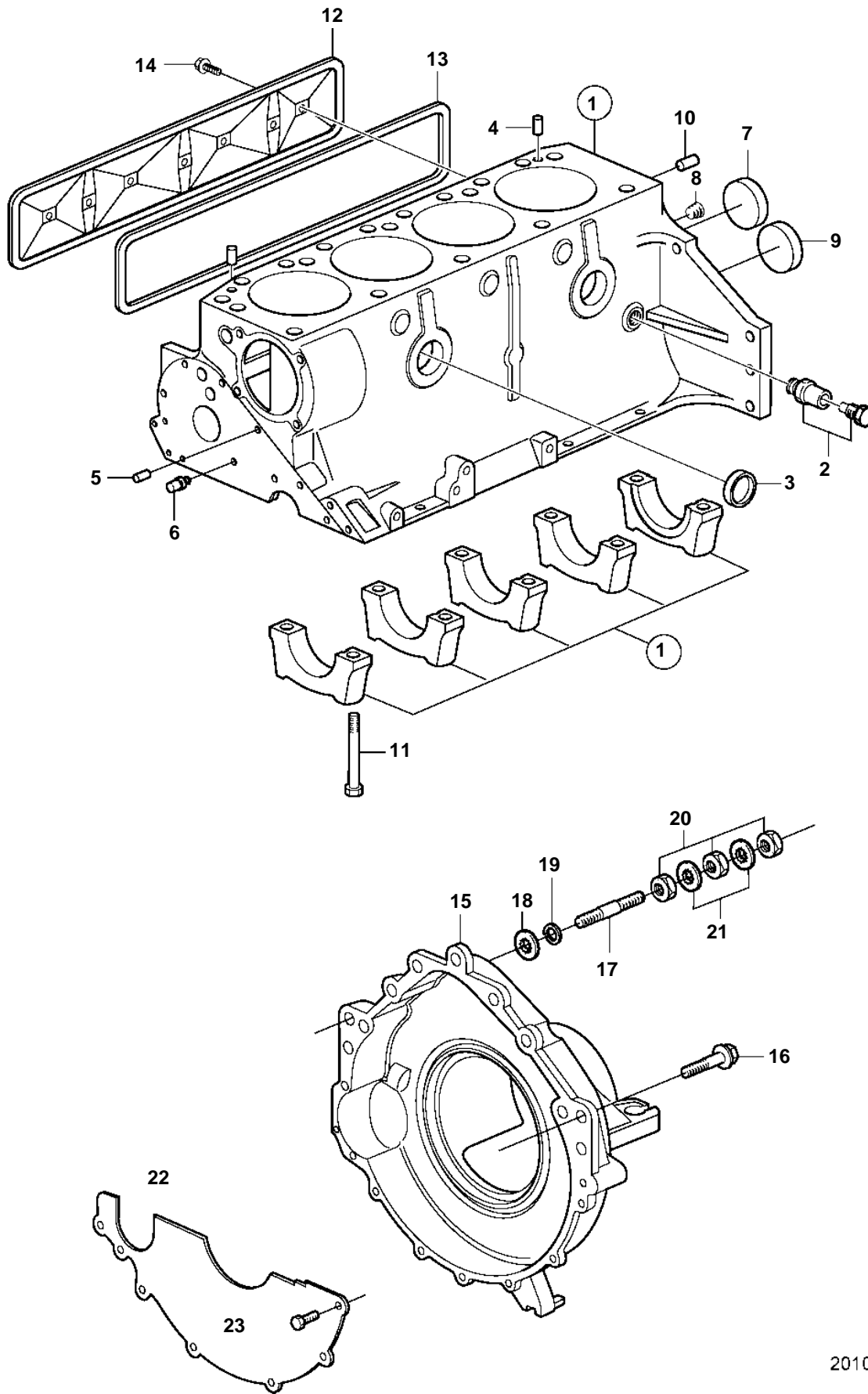


3.0GLP-D



20100

3.0GLP-D

| REF | PART NO. | QTY | DESCRIPTION      | NOTES        |
|-----|----------|-----|------------------|--------------|
| 1   |          | 1   | Cylinder block   | NOT SERVICED |
| 2   | 3854494  | 1   | Drain cock       |              |
| 3   | 3852100  | 2   | Core plug        |              |
| 4   | 3853114  | 4   | Locating pin     |              |
| 5   | 3852743  | 1   | Plug             |              |
| 6   | 3853067  | 1   | Nozzle           |              |
| 7   | 3852101  | 1   | Core plug        |              |
| 8   | 856547   | 1   | Plug             |              |
| 9   | 3853209  | 1   | Core plug        |              |
| 10  | 3856001  | 2   | Pin              |              |
| 11  | 3852933  | 10  | Screw            |              |
| 12  | 3853138  | 1   | Cover            |              |
| 13  |          | X   | SealantRTV       |              |
| 14  | 3853955  | 4   | Screw            |              |
| 15  | 3807905  | 1   | Flywheel housing |              |
| 16  | 3860582  | 4   | Screw            |              |
| 17  | 3850571  | 1   | Stud             |              |
| 18  | 3852070  | 1   | Washer           |              |
| 19  | 3852002  | 1   | Lock washer      |              |
| 20  | 3852065  | 3   | Nut              |              |
| 21  | 3852070  | 2   | Washer           |              |
| 22  | 3854604  | 1   | Cover            |              |
| 23  | 3852421  | 4   | Screw            |              |