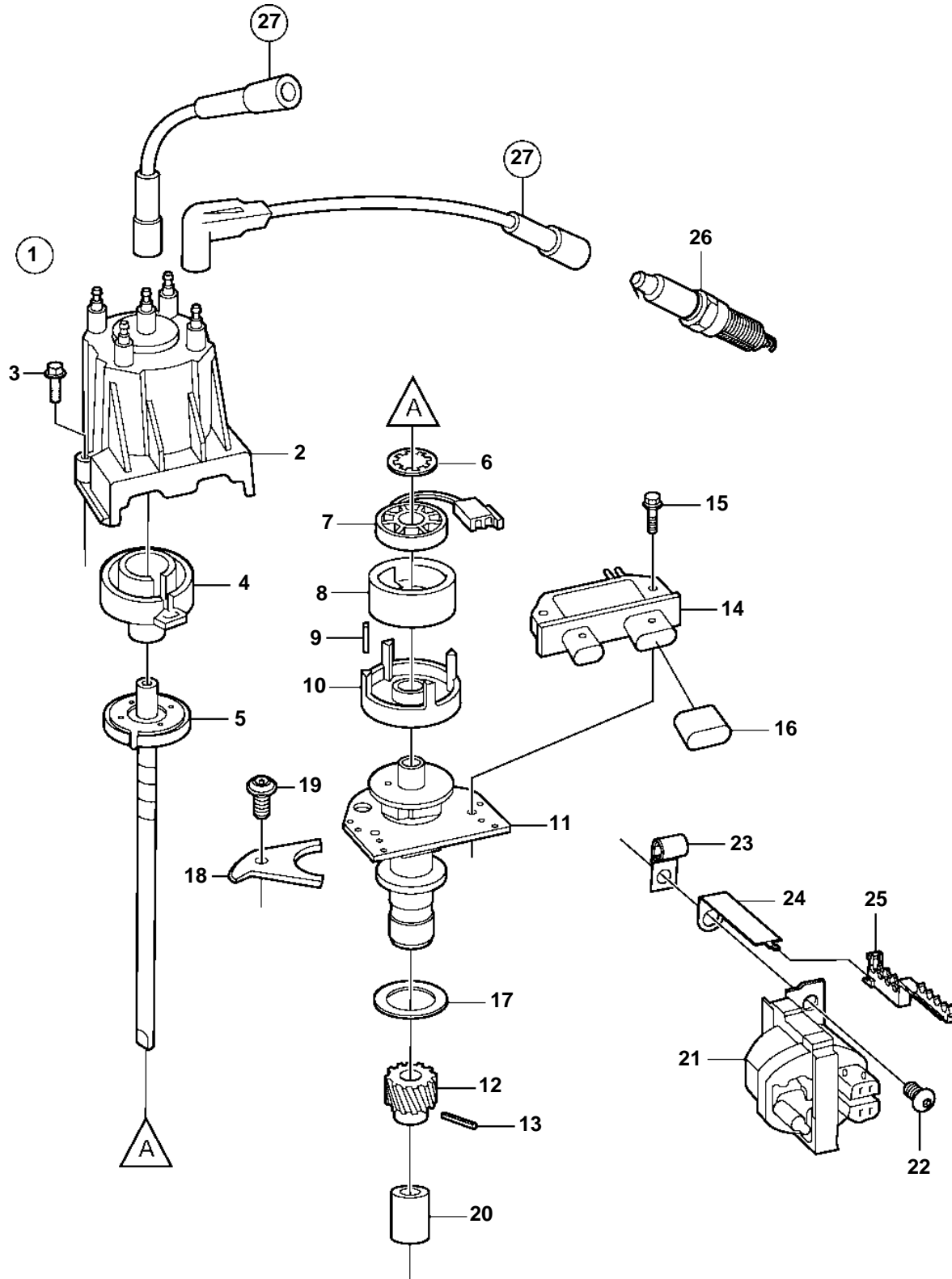


3.0GLP-B, 3.0GLM-B



3.0GLP-B, 3.0GLM-B

| REF | PART NO. | QTY | DESCRIPTION | NOTES |
|-----|----------|-----|--------------------|--------------|
| 1 | | 1 | Distributor | NOT SERVICED |
| 2 | 3854260 | 1 | • Distributor cap | |
| 3 | 3853318 | 2 | • Screw | |
| 4 | 3854261 | 1 | • Rotor | |
| 5 | 3854265 | 1 | • Shaft | |
| 6 | 3853317 | 1 | • Retainer | |
| 7 | 3854001 | 1 | • Coil | |
| 8 | 3854552 | 1 | • Shield | |
| 9 | 3853316 | 1 | • Locating pin | |
| 10 | 3854267 | 1 | • Pole shoe | |
| 11 | 3854264 | 1 | • Housing | |
| 12 | 3854263 | 1 | • Gear | |
| 13 | 3854266 | 1 | • Connector pin | |
| 14 | 3854003 | 1 | • Module | |
| 15 | 3853319 | 2 | • Screw | |
| 16 | 3850645 | 1 | Cap | |
| 17 | 3852660 | 1 | Gasket | |
| 18 | 3853142 | 1 | Clamp | |
| 19 | 3863171 | 1 | Screw | |
| 20 | 3853115 | 1 | Bearing | |
| 21 | 3854002 | 1 | Ignition coil | |
| 22 | 3857448 | 2 | Screw | |
| 23 | 3852092 | 1 | Clamp | |
| 24 | 3856068 | 1 | Bracket | |
| 25 | 3852619 | 1 | Retainer | |
| 26 | 3851857 | 1 | Spark plug kit | 4 PACK |
| | 3851858 | X | Spark plug kit | 24 PACK |
| 27 | 3851815 | 1 | Ignition cable kit | |