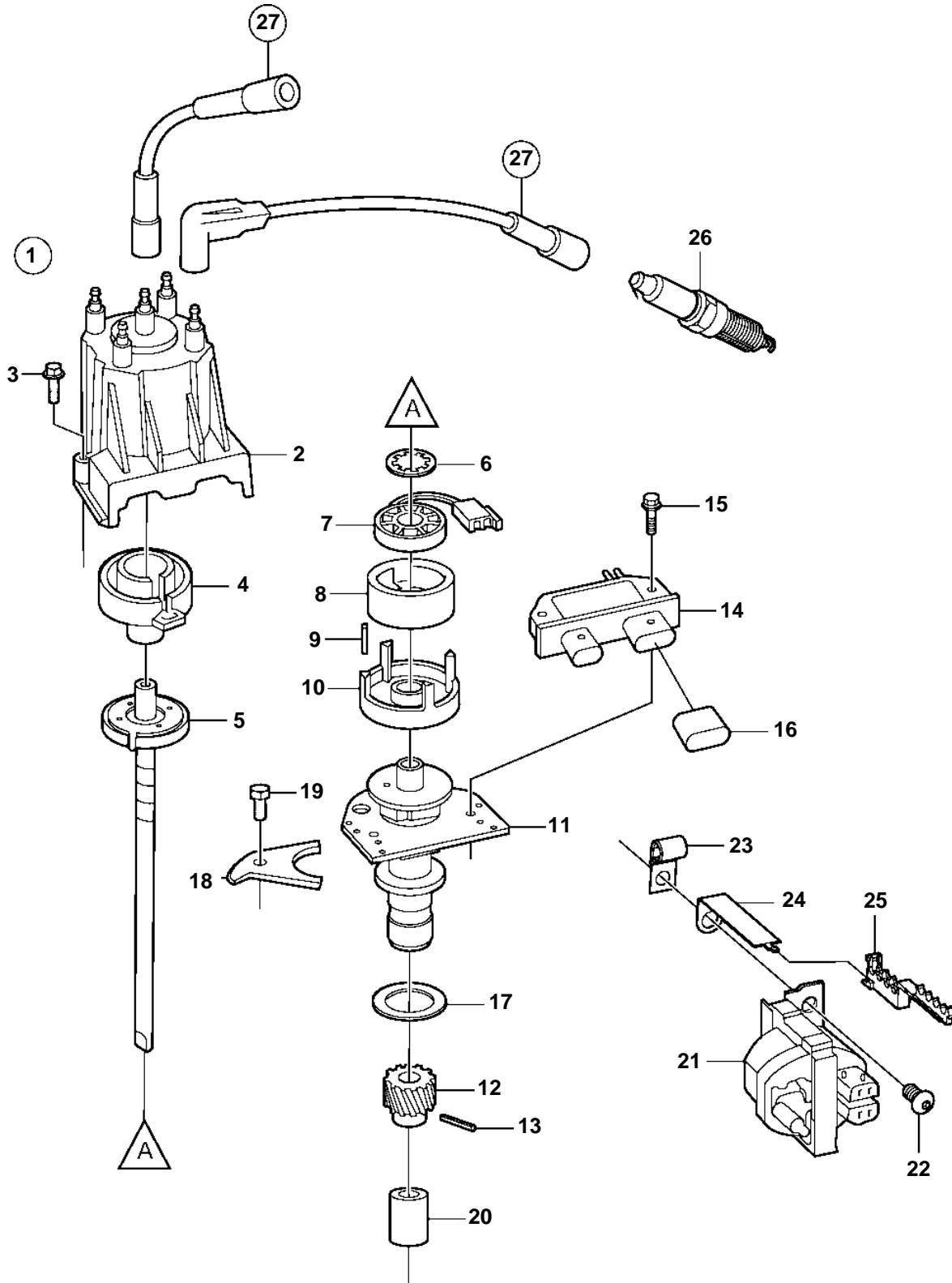


3.0GLP-A, 3.0GLM-A, 3.0GSP-A, 3.0GSP-B, 3.0GSP-C, 3.0GSM-A, 3.0GSM-B, 3.0GSM-C



3.0GLP-A, 3.0GLM-A, 3.0GSP-A, 3.0GSP-B, 3.0GSP-C, 3.0GSM-A, 3.0GSM-B, 3.0GSM-C

REF	PART NO.	QTY	DESCRIPTION	NOTES
1		1	Distributor	Part not sold
2	3854260	1	• Distributor cap	
3	3853318	2	• Screw	
4	3854261	1	• Rotor	
5	3854265	1	• Shaft	
6	3853317	1	• Retainer	
7	3854001	1	• Coil	
8	3854552	1	• Shield	
9	3853316	1	• Locating pin	
10	3854267	1	• Pole shoe	
11	3854264	1	• Housing	
12	3854263	1	• Gear	
13	3854266	1	• Connector pin	
14	3854003	1	• Module	
15	3853319	2	• Screw	
16	3850645	1	Cap	
17	3852660	1	Gasket	
18	3853142	1	Clamp	
19	841529	1	Screw	
20	3853115	1	Bearing	
21	3854002	1	Ignition coil	
22	3857448	2	Screw	
23	3852092	1	Clamp	
24	3856068	1	Bracket	
25	3852619	1	Retainer	
26	3851857	1	Spark plug kit	4 PACK
	3851858	1	Spark plug kit	24 PACK
27	3851815	1	Ignition cable kit	