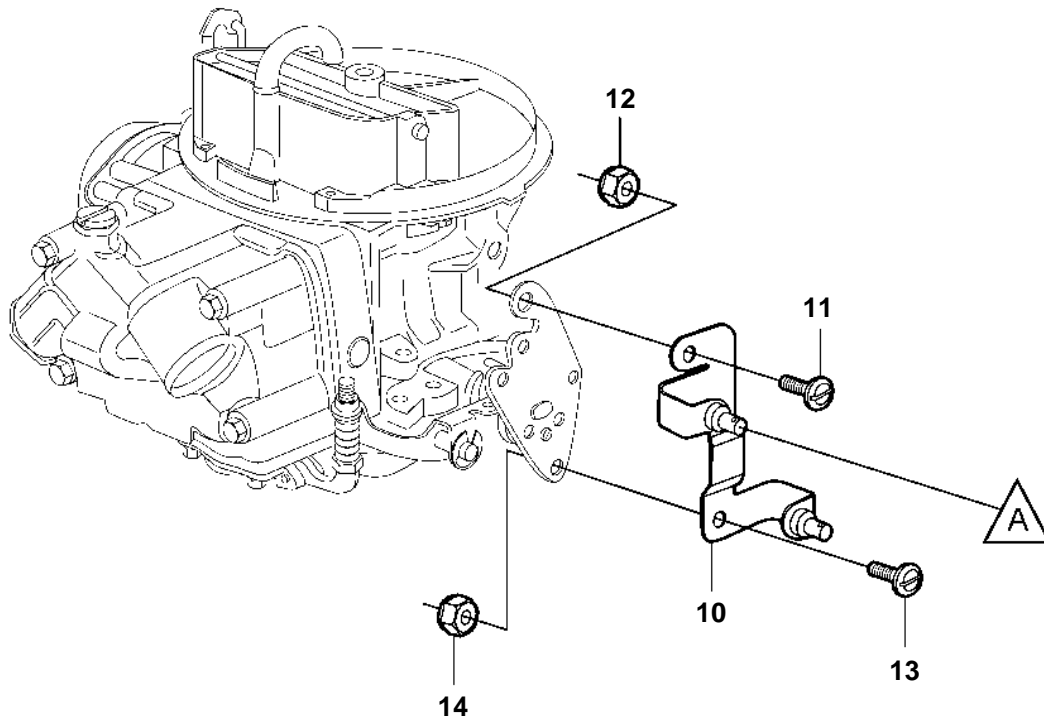
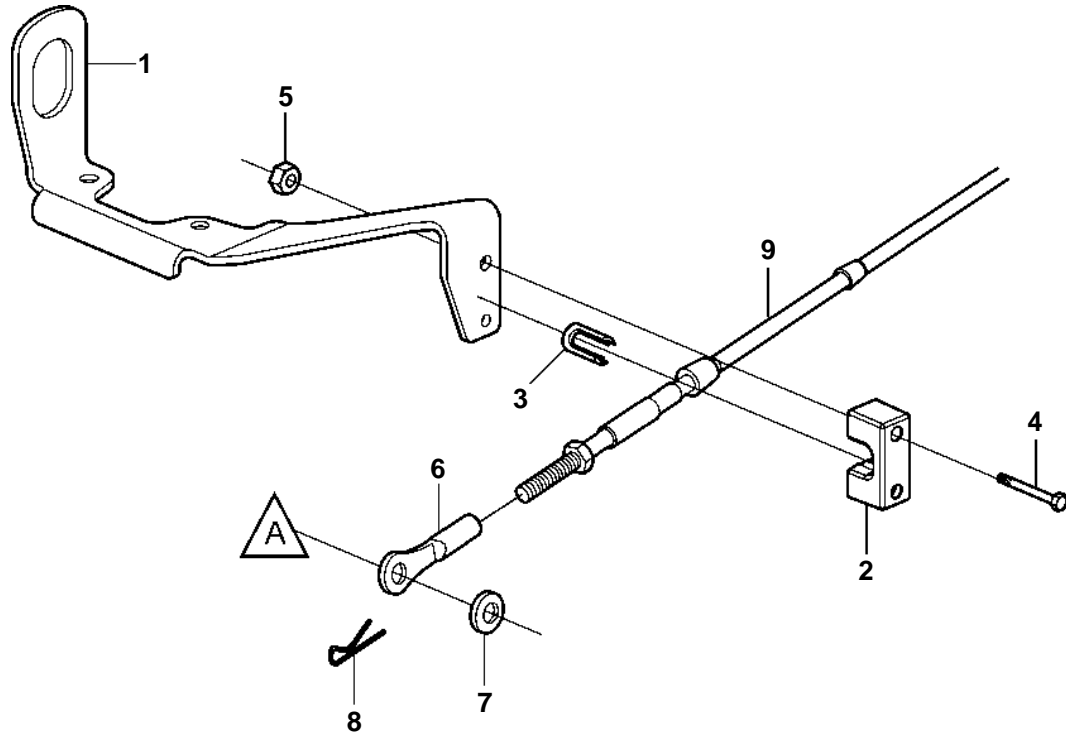


3.0GLP-A, 3.0GLP-B, 3.0GLM-A, 3.0GLM-B, 3.0GSP-A, 3.0GSP-B, 3.0GSP-C, 3.0GSM-A, 3.0GSM-B, 3.0GSM-C



3.0GLP-A, 3.0GLP-B, 3.0GLM-A, 3.0GLM-B, 3.0GSP-A, 3.0GSP-B, 3.0GSP-C, 3.0GSM-A, 3.0GSM-B, 3.0GSM-C

REF	PART NO.	QTY	DESCRIPTION	NOTES
1	3860810	1	Bracket	
	3862936	X	Bracket	3" riser extension
2	3850266	1	Anchorage	
3	3852019	1	Retainer	
4	3852048	1	Screw	
5	3852118	1	Nut	
6	3850941	1	Adapter	
7	3852193	1	Washer	
8	3852052	1	Cotter pin	
9		X	Cable	
10	3854833	1	Lever	
11	3850415	1	Screw	
12	3853758	1	Nut	
13	3852154	1	Screw	
14	3854468	1	Lock nut	