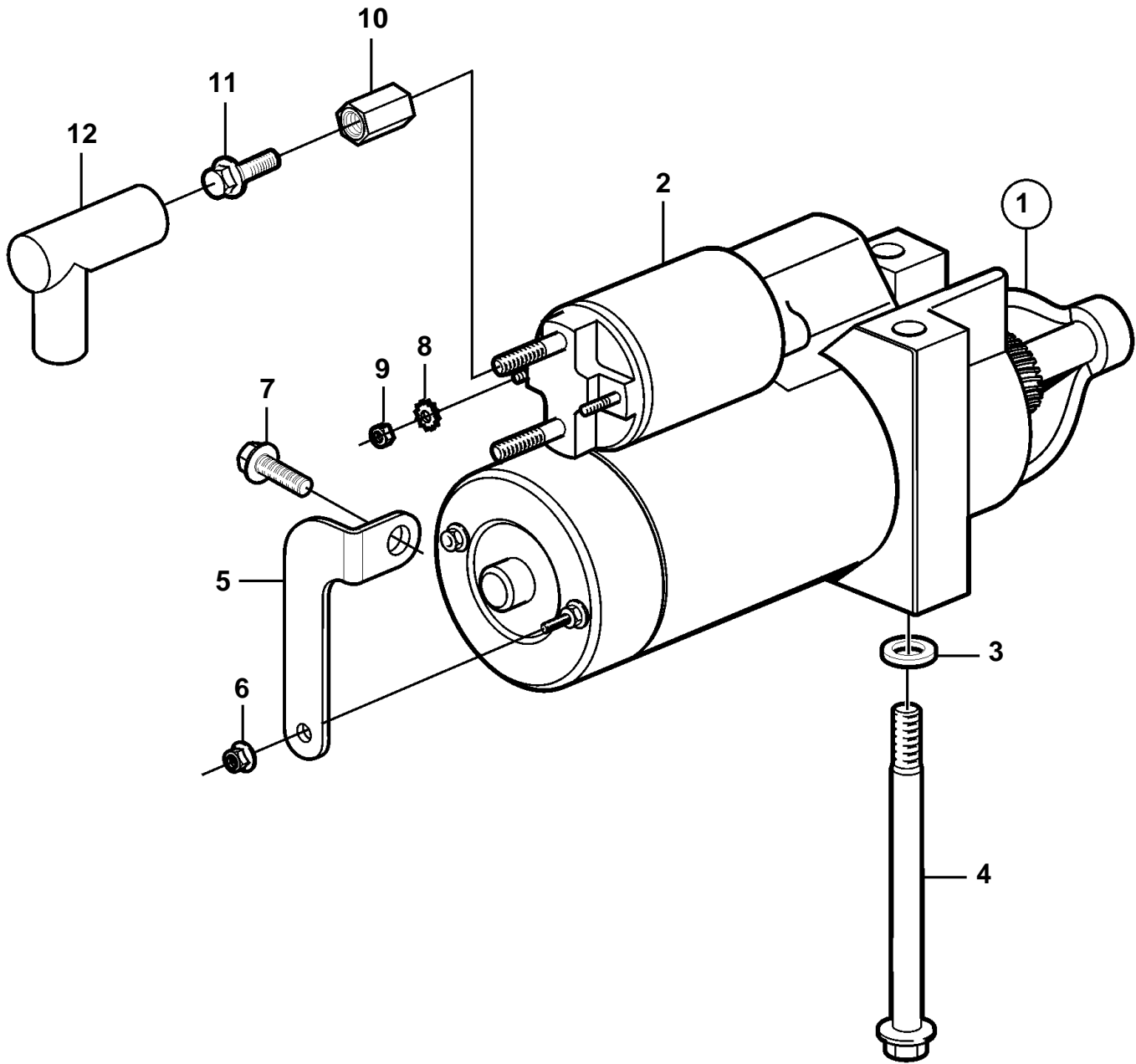


3.0GLP-A, 3.0GLP-B, 3.0GLM-A, 3.0GLM-B, 3.0GSP-C, 3.0GSM-C



**3.0GLP-A, 3.0GLP-B, 3.0GLM-A, 3.0GLM-B, 3.0GSP-C, 3.0GSM-C**

REF	PART NO.	QTY	DESCRIPTION
1	3860566	1	Starter motor
2	3810300	1	· Solenoid kit
3	3854496	2	Washer
4	3854752	2	Screw
5	3860840	1	Brace
6	949874	1	Lock nut
7	3853399	1	Screw
8	3852518	2	Nut
9	3852520	2	Washer
10	855314	1	Nut
11	947107	1	Flange screw
12	855798	1	Protecting sleeve