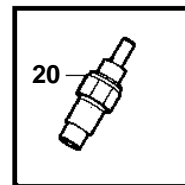
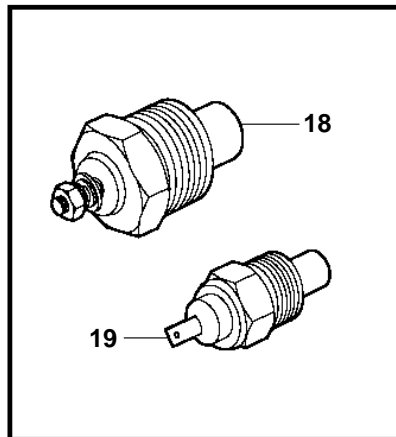
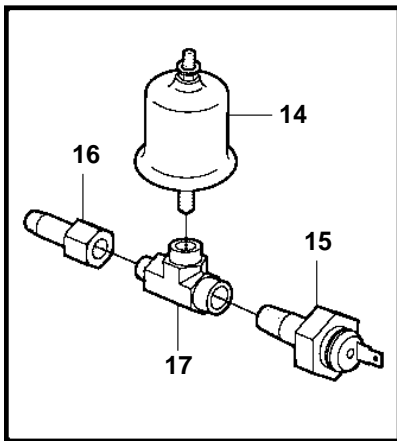
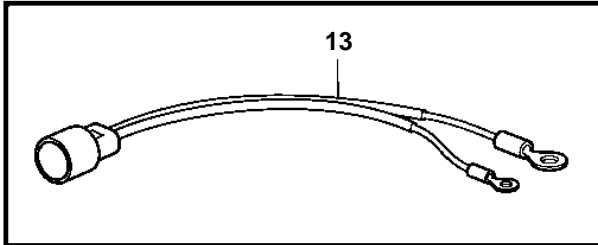
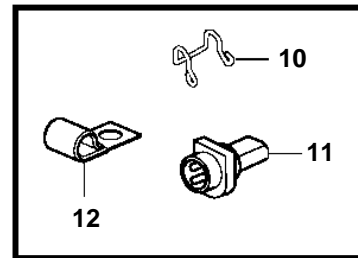
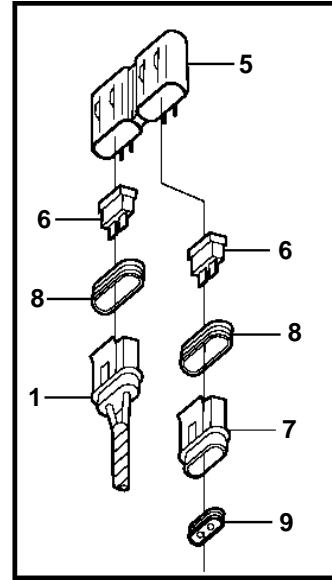
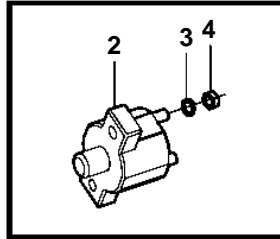
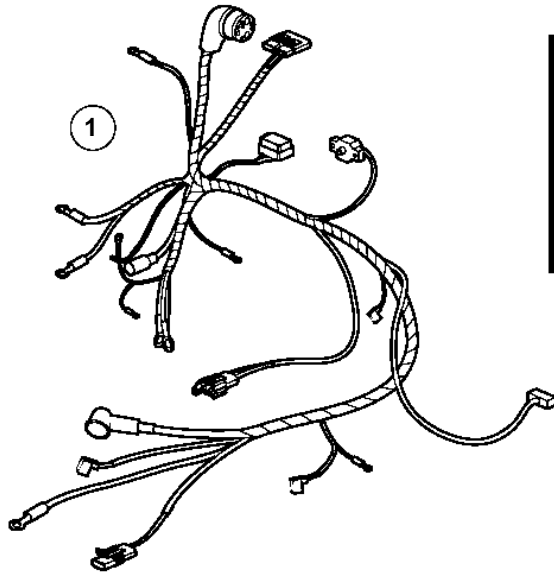


3.0GLP-A, 3.0GLP-B, 3.0GLM-A, 3.0GLM-B



3.0GLP-A, 3.0GLP-B, 3.0GLM-A, 3.0GLM-B

REF	PART NO.	QTY	DESCRIPTION	NOTES
1	3862616	1	Cable harness	
2	3854164	1	• Breaker	
3	3852001	2	• Lock washer	
4	3852064	2	• Nut	
5	3860455	1	• Fuse holder	
6	979686	2	Fuse	40A
7	8166029	2	• Connector	
8		2	• • Seal	
9		2	• • Seal	
10	3852237	1	Retainer	
11	3855178	1	Connector	
12	3852199	1	Clamp	
	3852146	1	Clamp	Exhaust sensor lead
13	3854031	1	Cable harness, trim	
14	3857532	1	Sender, oil pressure	
	872064	X	Sender, oil pressure	DUAL STATION
15	3852215	1	Sender, oil pressure	
16	3855776	1	Adapter	
17	3852610	1	T-nipple	
18	3852029	1	Sender, coolant water temp.	
	872068	X	Sender, coolant water temp.	DUAL STATION
19	872066	1	Switch, coolant water temp.	
20	3862500	1	Temperature sensor	Exhaust