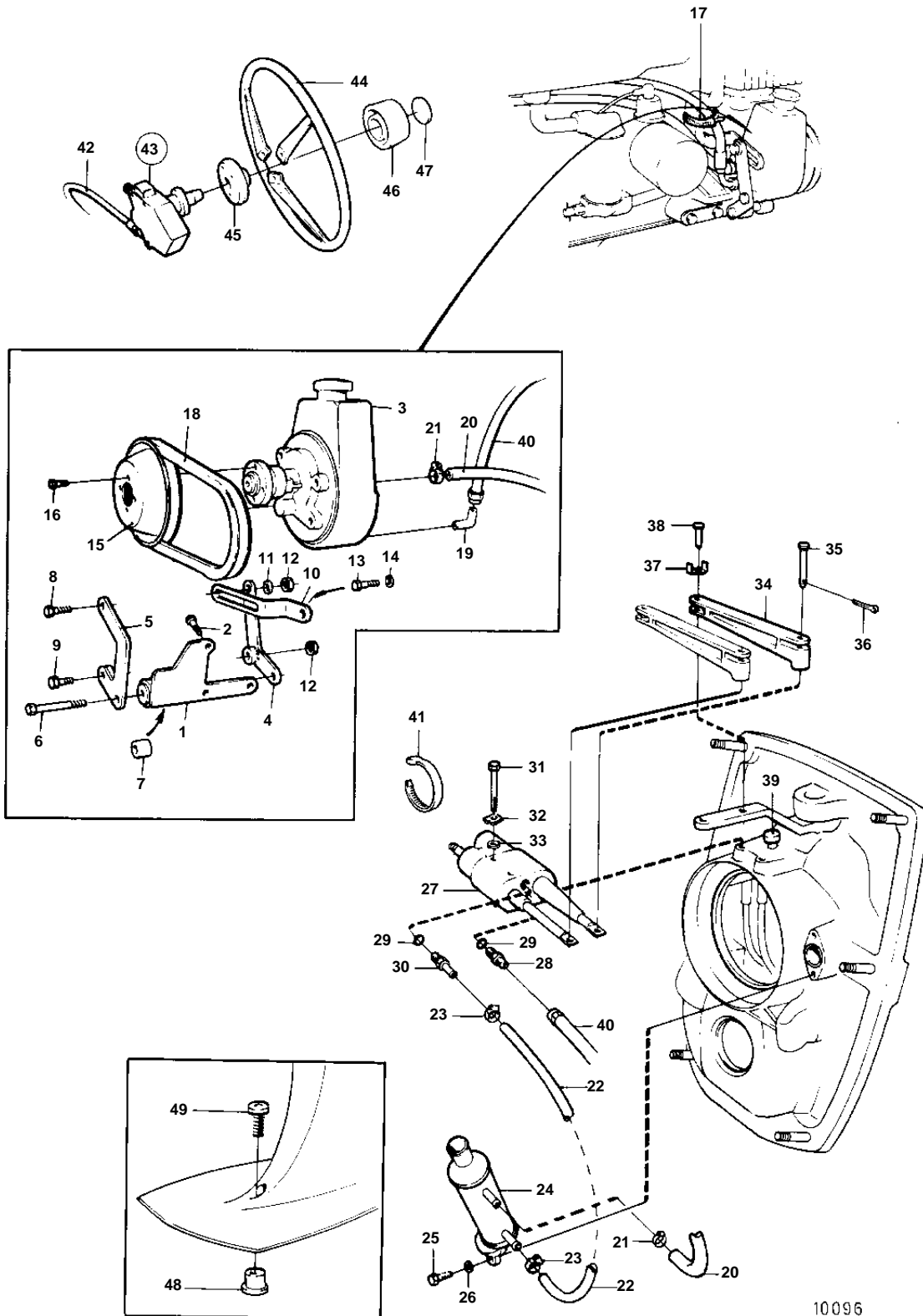


250A



10096

250A

REF	PART NO.	QTY	DESCRIPTION	SEE SEC.	NOTES
1	855273	1	Bracket		
2	965182	3	Flange screw		
3	838310	1	Power steering pump		
				11411	
4	855275	1	Attaching plate		
5	855276	1	Attaching plate		
6	968998	1	Screw		
7	826652	1	Spacer sleeve		
8	968894	1	Flange screw		
9	973083	1	Flange screw		(946329)
10		1	Tensioner		
11	960148	1	Washer		
12	968863	2	Nut		
13	968889	1	Flange screw		
14	960141	1	Washer		
15	855353	1	Pulley		
16	968883	4	Flange screw		
17	948210	X	Cable tie		
18	968294	1	V-belt		L = 950 MM
19	855616	1	Junction pipe		
20	838311	X	Return hose		L = 1200 MM
21	961664	2	Hose clamp		
22	838311	X	Return hose		L = 500 MM
23	961664	2	Hose clamp		
24	838482	1	Oil cooler		
25	955515	2	Hexagon screw		
26	941906	2	Spring washer		
27		1	Steering cylinder		
28	957031	1	Nipple		
29	958226	2	O-ring		
30	946152	1	Nipple		
31	968247	2	Hexagon screw		
32	853254	2	Striker plate		
33	941908	2	Spring washer		
34		1	Link rod		
35	852789	1	Split pin		
36	907856	2	Split pin		
37	853160	1	Lock washer		
38	913158	1	Clevis pin		
39	184700	1	Roller		
40	853454	1	Hose		
41	949668	X	Cable tie		
42	850810	X	Steering cable		L = 3000 MM
	850811	X	Steering cable, STEERING CABLE		L = 3300 MM
					REPL BY 853186+853214
	853188	X	Steering cable		L = 3750 MM
	850813	X	Steering cable		L = 3900 MM
	850814	X	Steering cable		L = 4200 MM
	850815	X	Steering cable		L = 4500 MM
	850816	X	Steering cable		L = 4800 MM
	850817	X	Steering cable		L = 5100 MM
	853194	X	Steering cable		L = 6000 MM
	853195	X	Steering cable		L = 6750 MM
	828866	X	Steering cable		L = 8000 MM
	853287	X	Steering cable		L = 8500 MM
	853288	X	Steering cable		
43	850809	1	Steering head		
				11412	
44	850936	1	Steering wheel		
45		1	· Steering wheel pad		
46		1	· Emblem		
47	853160	1	· Lock washer		
48	853589	1	Plug		

7723820 - 64 - 11408

10096

Upd: 2009-11-25

230A, 230B, 250A, 250B

VOLVO
PENTA

250A

REF	PART NO.	QTY	DESCRIPTION	SEE SEC.	NOTES
49	959437	1	Hex. socket screw		