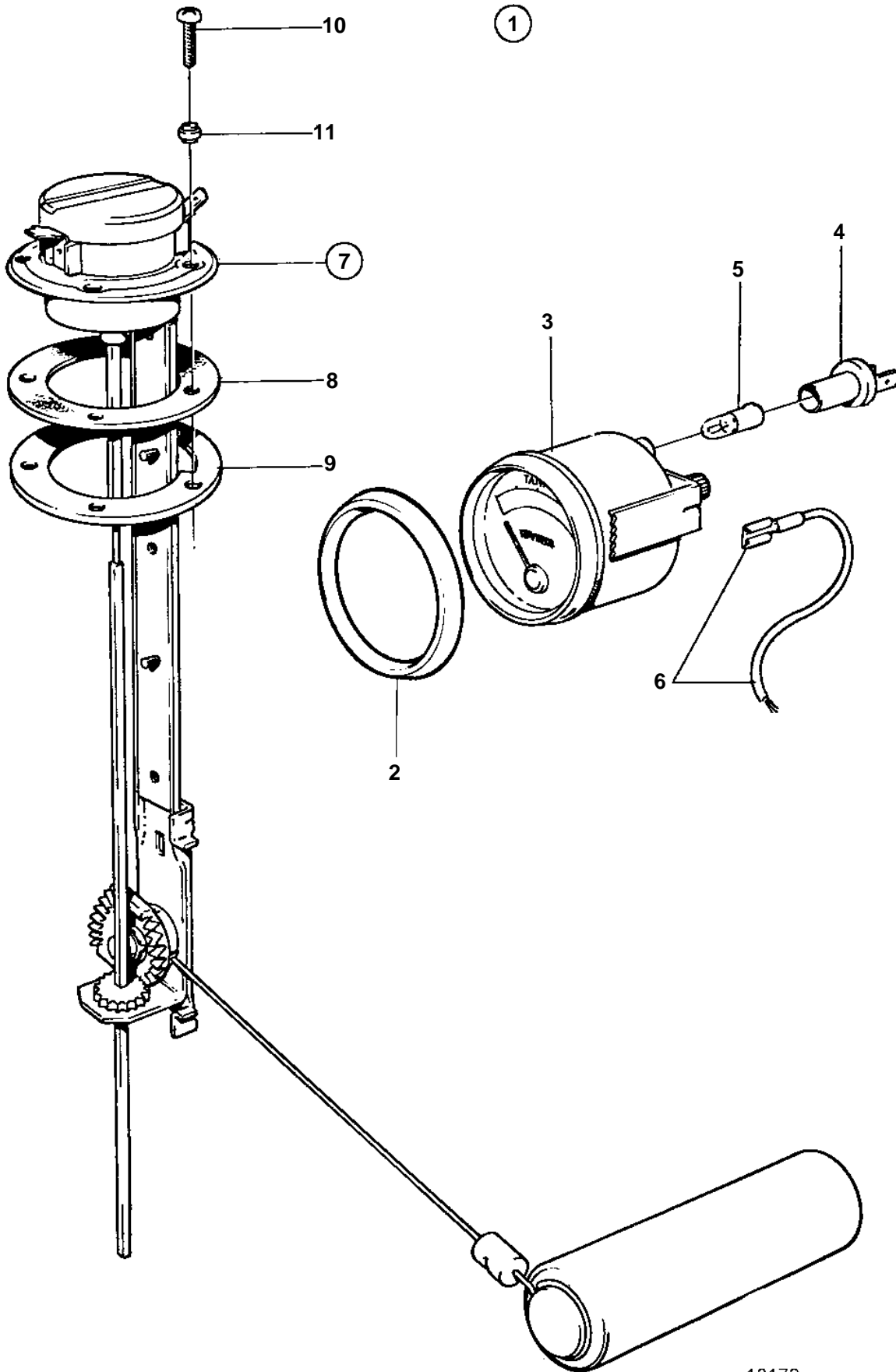


230A, 230B, 250A, 250B



230A, 230B, 250A, 250B

REF	PART NO.	QTY	DESCRIPTION	NOTES
1	1140462	1	Water level gauge ki	
2	858643	1	• Front ring	
3	863942	1	• Water level gauge	(828635)
4	863945	2	• • Lamp socket	FOR INSTRUMENTS WITH PARTNO 828632,828635 SHOULD WHITE BULB 19923 AND BULB HOLDER 808175 BE INSTALLED.
5	863946	2	• • Bulb	FOR INSTRUMENTS WITH PARTNO 828632,828635 SHOULD WHITE BULB 19923 AND BULB HOLDER 808175 BE INSTALLED., RED
6		X	• CABLES AND TERMINALS	SEE GROUP 3
7	834389	1	• Sensor	
8	89865	1	• • Gasket	
9	834480	1	• • Flange	
10	956078	4	• • Cross recessed screw	L = 16 MM
	956081	1	• • Cross recessed screw	L = 25 MM
11	834481	5	• • Gasket	