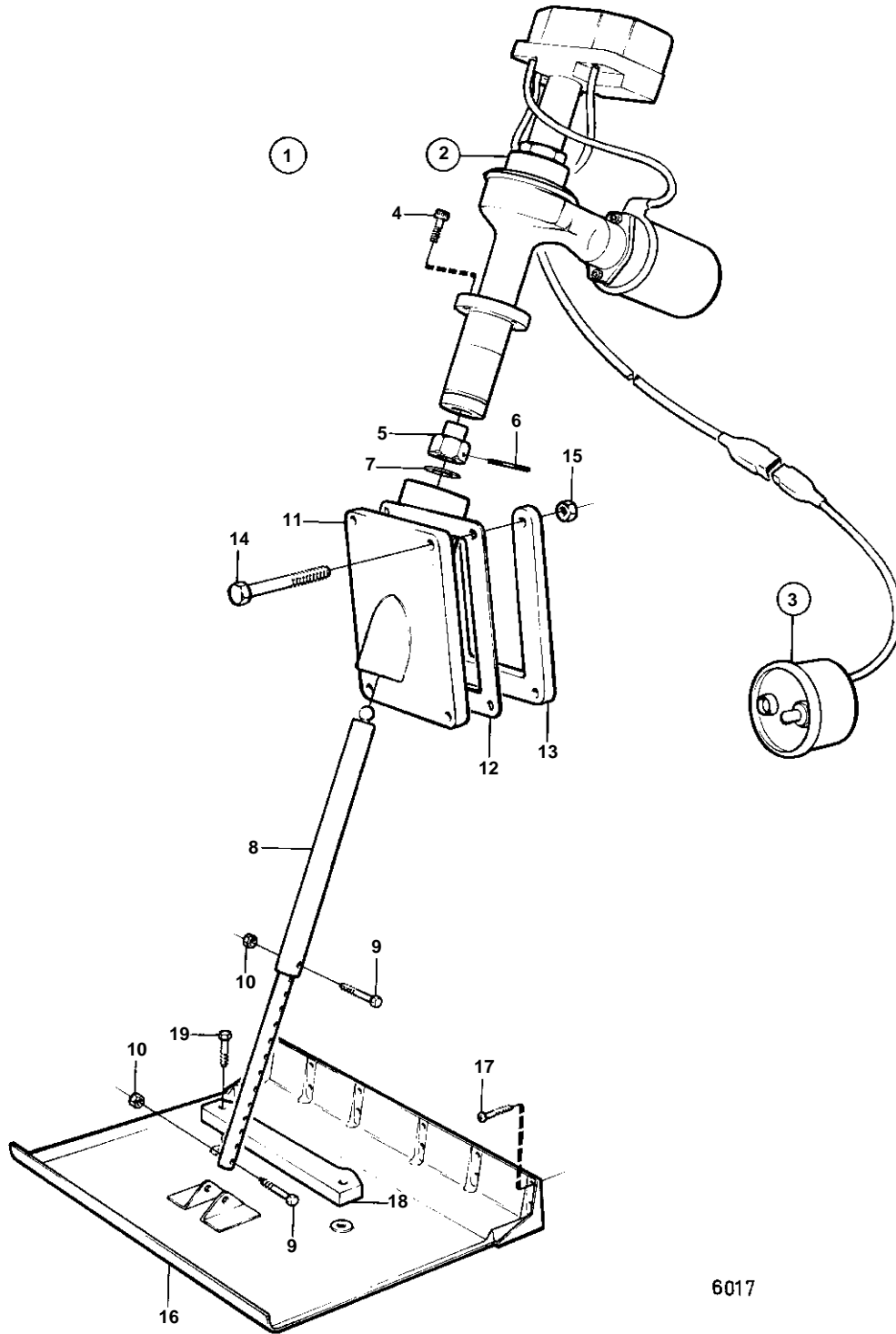


230A, 230B, 250A, 250B



6017

230A, 230B, 250A, 250B

REF	PART NO.	QTY	DESCRIPTION	SEE SEC.
1		1	Trimming raft	
2		1	• Electromechanical li	
3	850375	1	• Instrument panel	
				11422
4	956568	4	• Hex. socket screw	
5		2	• Ball socket	
6		2	• Spring pin	
7		2	• Locking wire	
8		2	• Push rod	
9		2	• Hexagon screw	
10	966170	2	• Lock nut	
11		2	• Housing	
12		2	• Gasket	
13		2	• Flange	
14	191844	12	• Hexagon screw	
15	950364	12	• Lock nut	
16		2	• Trimming raft	
17		24	• Screw	
18	832598	2	• Zinc anode	
19		4	• Hexagon screw	