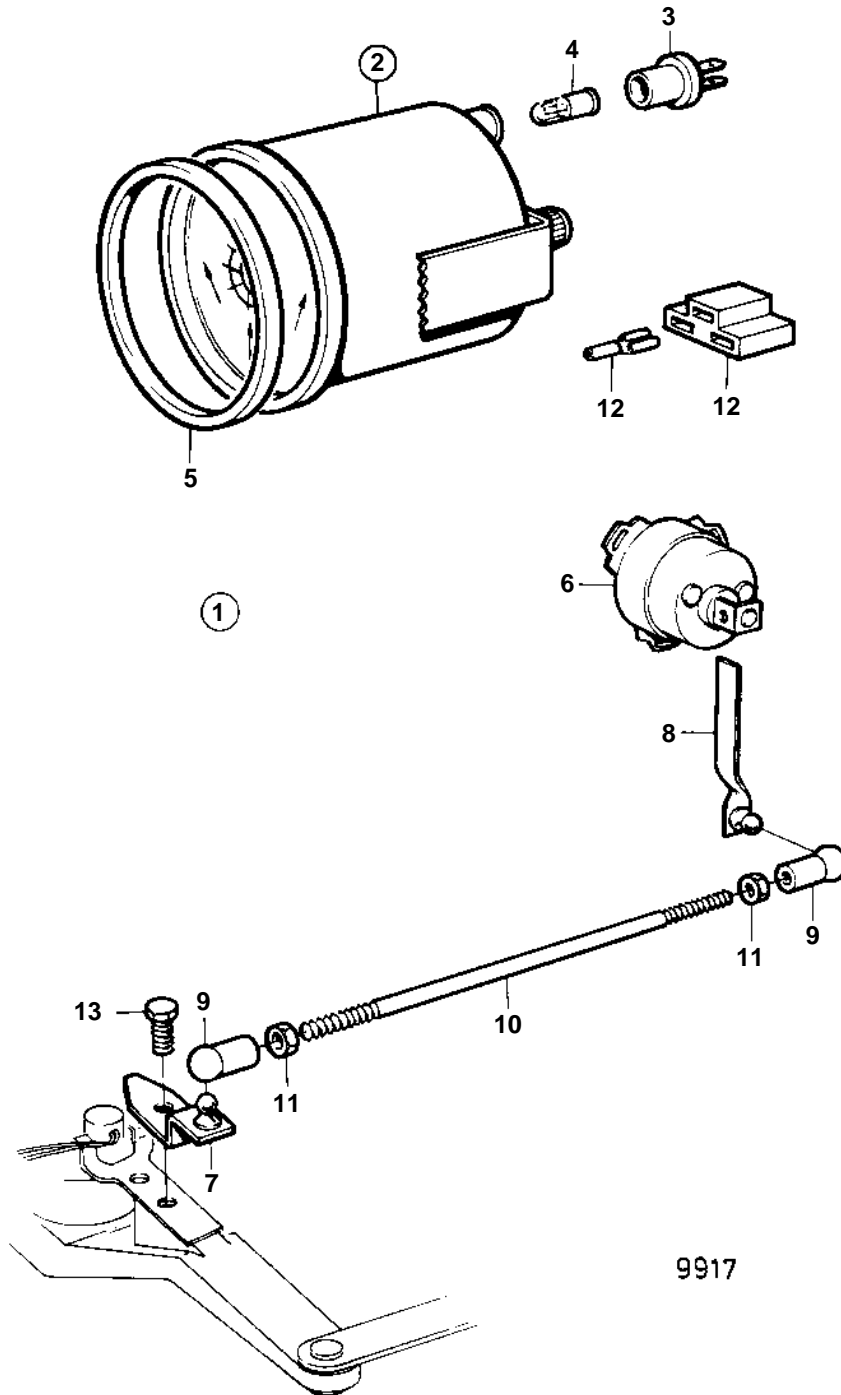


230A, 230B, 250A, 250B



230A, 230B, 250A, 250B

REF	PART NO.	QTY	DESCRIPTION	NOTES
1	858886	1	Rudder indicator kit	REPL BY 1140463
2	828698	1	· Rudder indicator	REPL BY 863944
	863944	1	· Rudder indicator	
3	863945	1	· · Lamp socket	FOR RUDDER INDICATOR INSTRUMENTS WITH PART NO 828698 SHOULD WHITE BULB 19923 AND BULB HOLDER 808175 BE INSTALLED
4	863946	1	· · Bulb	FOR RUDDER INDICATOR INSTRUMENTS WITH PART NO 828698 SHOULD WHITE BULB 19923 AND BULB HOLDER 808175 BE INSTALLED, RED
5	858643	1	· Front ring	
6	837772	1	· Position sensor	
7	853176	1	· Bracket	
8	853177	1	· Intermediate lever	
9	946704	1	· Ball socket	LEFT HAND THREADS.
	946703	1	· Ball socket	RIGHT HAND THREADS.
10	943549	1	· Control rod	
11	942836	1	· Hexagon nut	LEFT HAND THREADS.
	955780	1	· Hexagon nut	RIGHT HAND THREADS.
12		X	· CABLES AND TERMINALS	
13	940199	1	Hexagon screw	