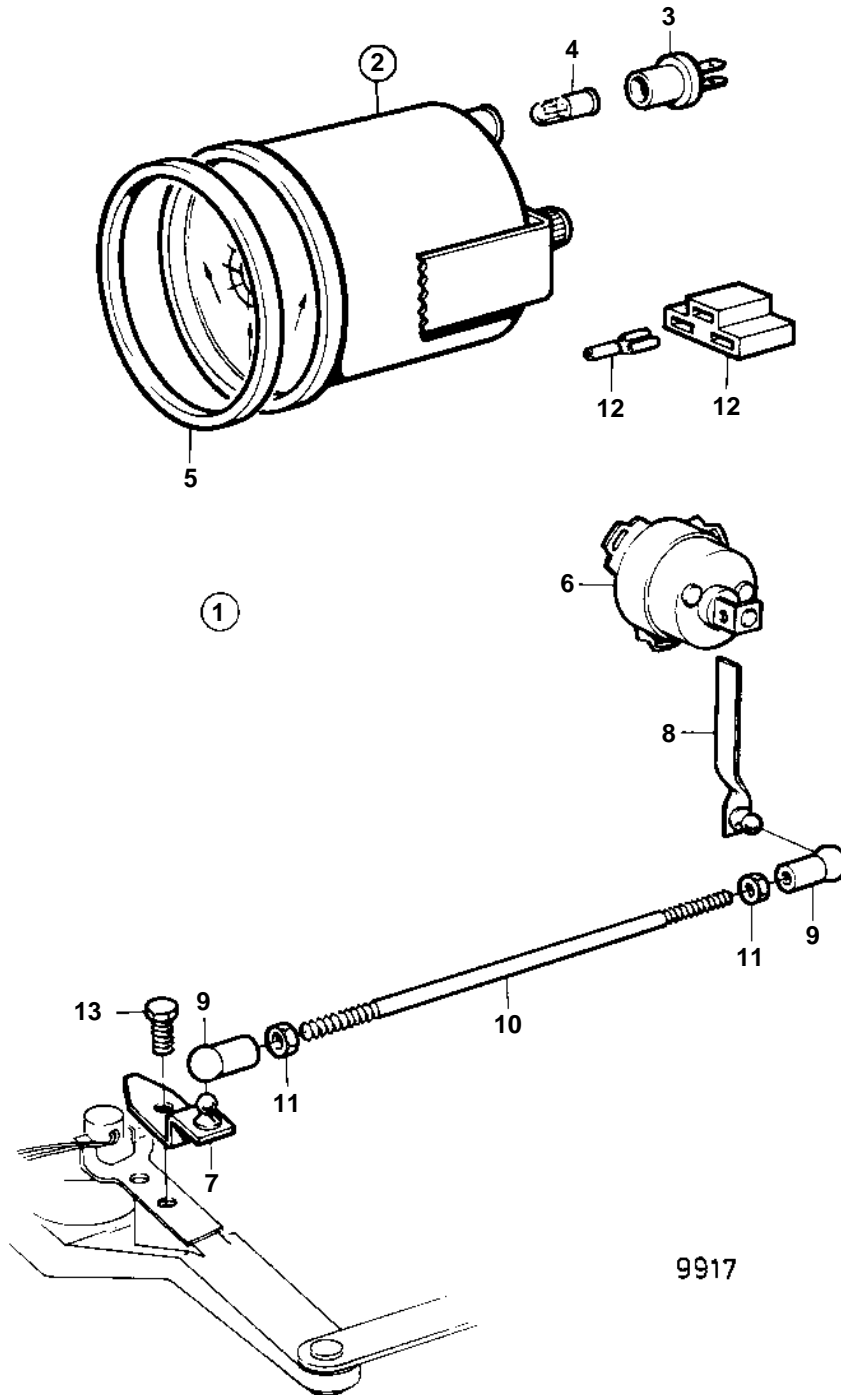


230A, 230B, 250A, 250B



230A, 230B, 250A, 250B

REF	PART NO.	QTY	DESCRIPTION	NOTES
1	1140465	1	Rudder indicator kit	FOR ENGINE WITH REVERSE GEAR.
2	863944	1	· Rudder indicator	
3	863945	1	· · Lamp socket	FOR RUDDER INDICATOR INSTRUMENTS WITH PART NO 828698 SHOULD WHITE BULB 19923 AND BULB HOLDER 808175 BE INSTALLED
4	863946	1	· · Bulb	FOR RUDDER INDICATOR INSTRUMENTS WITH PART NO 828698 SHOULD WHITE BULB 19923 AND BULB HOLDER 808175 BE INSTALLED, RED
5	858643	1	· Front ring	
6	837772	1	· Position sensor	
12		X	· CABLES AND TERMINALS	