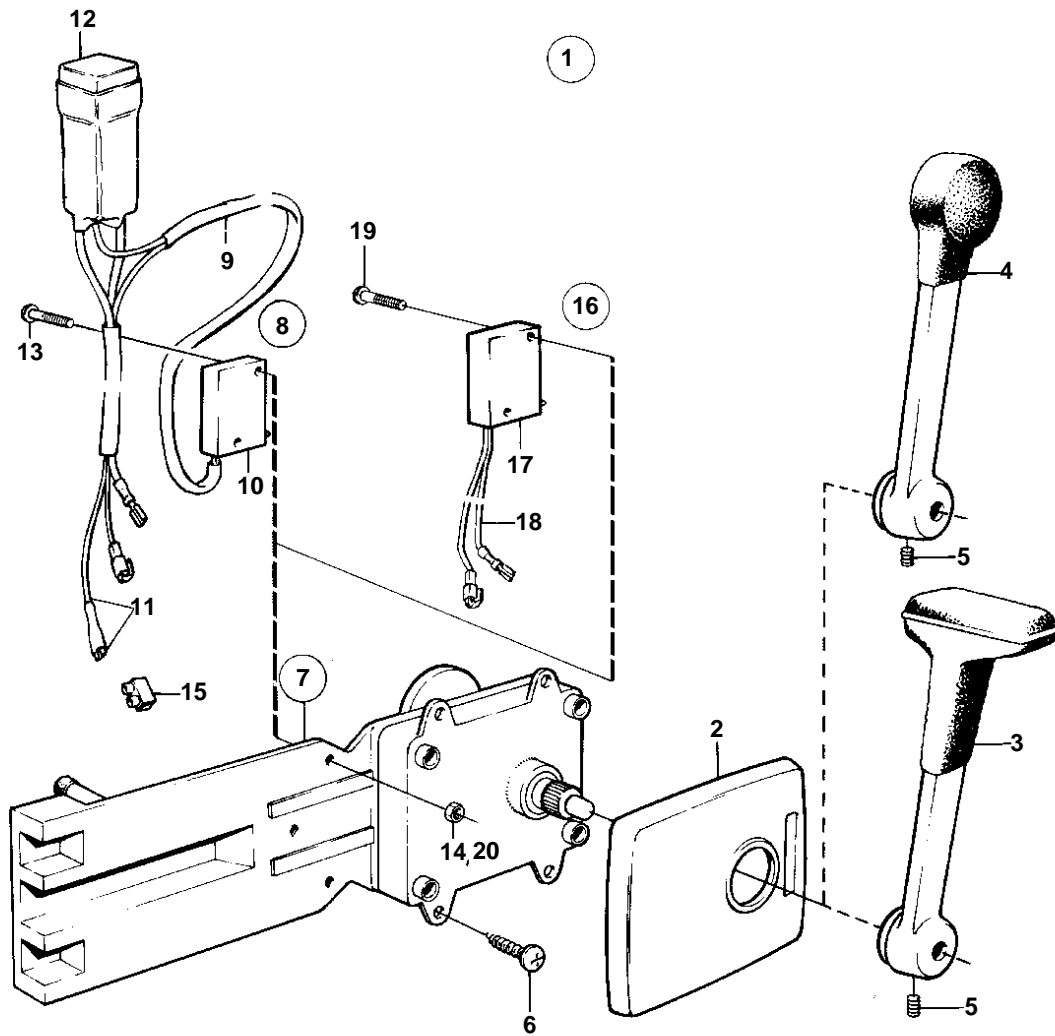


230A, 230B, 250A, 250B



4806

230A, 230B, 250A, 250B

REF	PART NO.	QTY	DESCRIPTION	NOTES
1	839516	1	Mounting kit	FOR SAIL BOAT., REPL BY 851605
2	1140048	1	· Cover	(839518)
4	839521	1	· Hand lever	FOR SAIL BOAT.
5		1	· Lock screw	M5
	839693	1	· Lock screw	M8
6	955142	4	· Cross recessed screw	
7	839469	1	Control	TOP-MOUNTED REPLACED BY 851600., SIDE-MOUNTED REPLACED BY 851601.
8	855352	1	Neutral position con	MAIN STATION.
9		1	· Cable kit	
10	850200	1	· · Toggle switch	
11		X	· · CABLES AND CABLE TERMINALS	SEE GROUP 3
12	876037	1	· · · Relay kit	(1501832)
13	946177	2	· · · Cross recessed screw	
14	947536	2	· · · Hexagon nut	
15		1	· · · Coupling piece	
16	855352	1	Neutral position con	MAIN STATION., (828414)
	855352	1	Neutral position con	SECOND STATION., (828378)
17	850200	1	· Toggle switch	
18		X	· · CABLES AND CABLE TERMINALS	SEE GROUP 3
19	946177	2	· · · Cross recessed screw	
20	947536	2	· · · Hexagon nut	