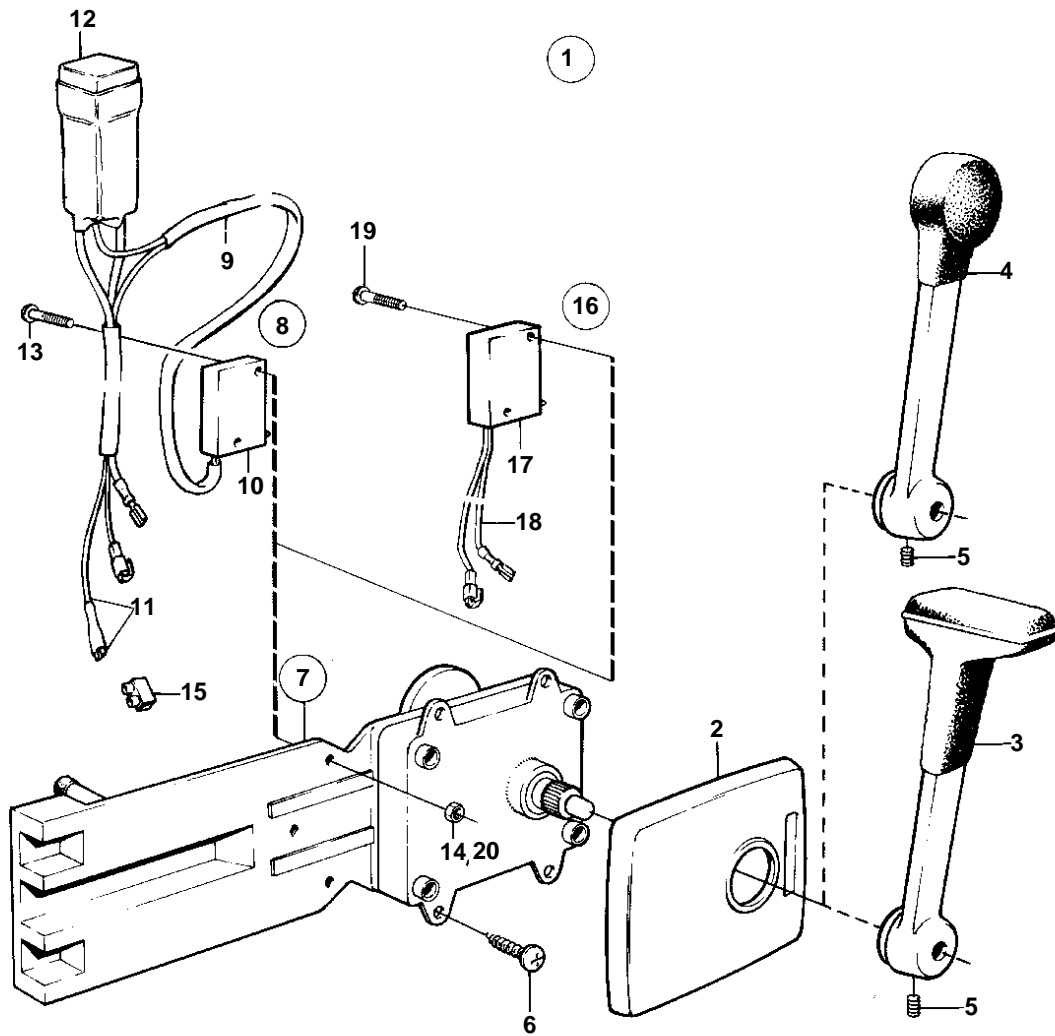


230A, 230B, 250A, 250B



4806

## 230A, 230B, 250A, 250B

REF	PART NO.	QTY	DESCRIPTION	SEE SEC.	NOTES
1	839515	1	Mounting kit		
2	1140048	1	· Cover		(839518)
3	839520	1	· Hand lever		
5		1	· Lock screw		M5
	839693	1	· Lock screw		M8
6	955142	4	· Cross recessed screw		
7	839469	1	Control		TOP-MOUNTED REPLACED BY 851600., SIDE-MOUNTED REPLACED BY 851601.
				11462	
8	855352	1	Neutral position con		MAIN STATION.
9		1	· Cable kit		
10	850200	1	· · Toggle switch		
11		X	· · CABLES AND CABLE TERMINALS		SEE GROUP 3
12	876037	1	· · · Relay kit		(1501832)
13	946177	2	· · · Cross recessed screw		
14	947536	2	· · · Hexagon nut		
15		1	· · · Coupling piece		
16	855352	1	Neutral position con		MAIN STATION., (828414)
	855352	1	Neutral position con		SECOND STATION., (828378)
17	850200	1	· Toggle switch		
18		X	· · CABLES AND CABLE TERMINALS		SEE GROUP 3
19	946177	2	· · · Cross recessed screw		
20	947536	2	· · · Hexagon nut		