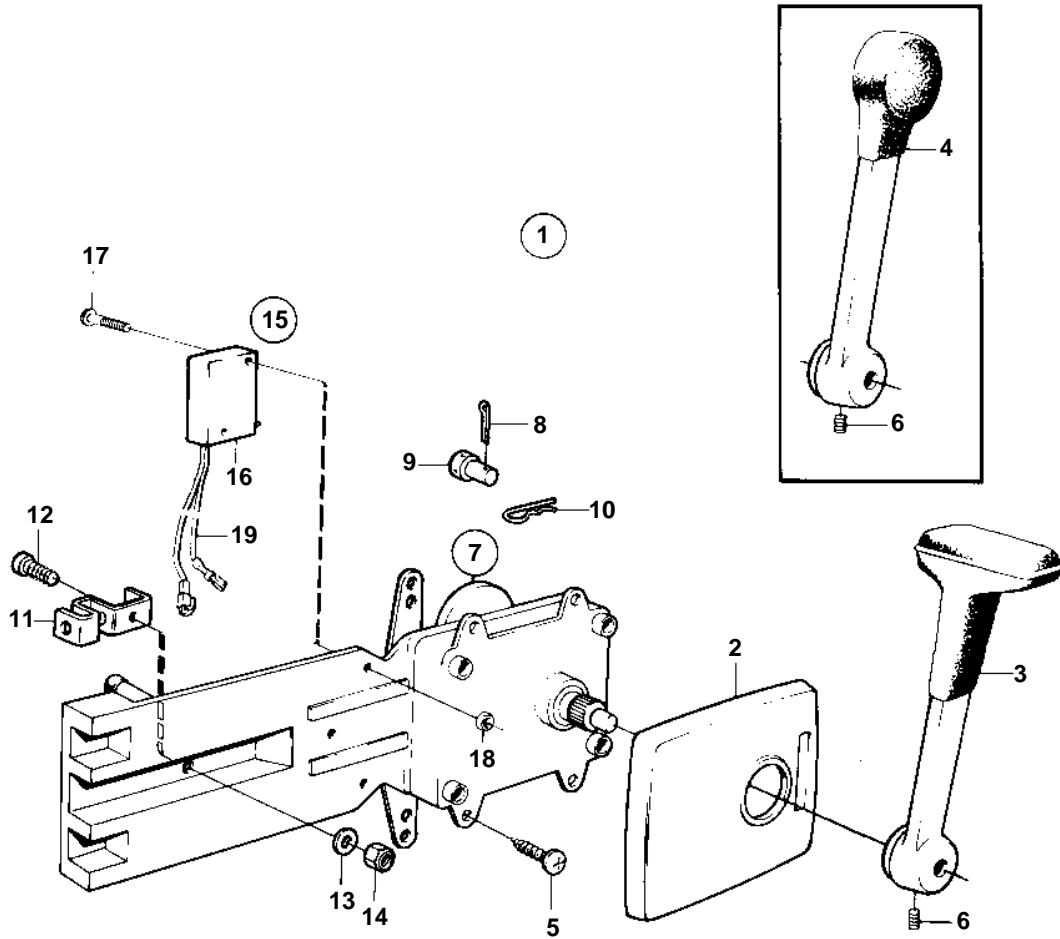


230A, 230B, 250A, 250B



9584

230A, 230B, 250A, 250B

REF	PART NO.	QTY	DESCRIPTION	NOTES
1	851604	1	Mounting kit	REPL BY 1140092
2	1140048	1	· Cover	
3	839520	1	· Hand lever	
5	955142	4	· Cross recessed screw	
6	839693	1	· Lock screw	
7	851601	1	· Control	REPL BY 1140095
8	17253	2	· Split pin	
9	839638	2	· Cube	
10	852924	1	· Clip	
11	853423	1	· Retainer	
12	839664	1	· Screw	
13	940275	1	· Washer	
14	946435	1	· Lock nut	
15	855352	1	· Neutral position con	
16	850200	1	· Toggle switch	
17	946177	2	· Cross recessed screw	
18	947536	2	· Hexagon nut	
19		X	· CABLES AND TERMINALS	SEE GROUP 3