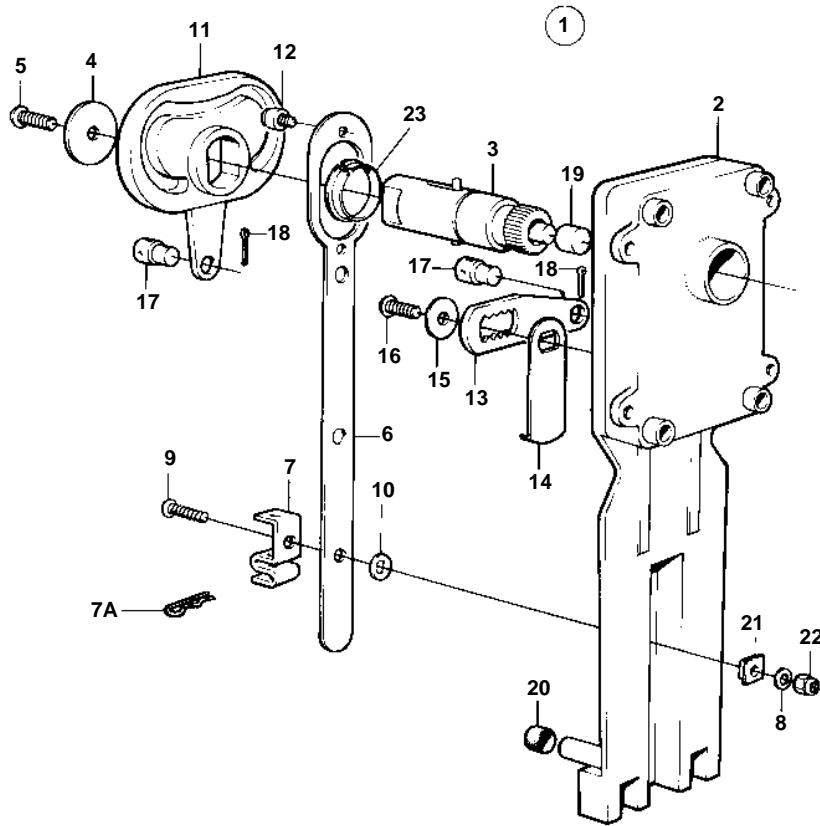


230A, 230B, 250A, 250B



7600

230A, 230B, 250A, 250B

REF	PART NO.	QTY	DESCRIPTION	NOTES
1	839469	1	Control	TOP-MOUNTED REPLACED BY 851600., SIDE-MOUNTED REPLACED BY 851601.
2		1	· HOUSING	
3		1	· SHAFT	
4		1	· WASHER	
5		1	· SCREW	
6		1	· Link arm	
7	853423	1	· Retainer	
7A	852924	1	· Clip	
8		1	· WASHER	
9	839664	1	· Screw	
10		1	· WASHER	
11		1	· Eccentric	
12		1	· Spare parts kit	
13		1	· COUPLING ARM	
14		1	· BREAKER ARM	
15		1	· WASHER	
16		1	· SCREW	
17	839638	2	· Cube	
18	17253	2	· Split pin	
19	839632	1	· Button	
20	839640	1	· Vibration damper	
21	839666	1	· Washer	
22	963104	1	· Lock nut	
23		1	· Bushing	