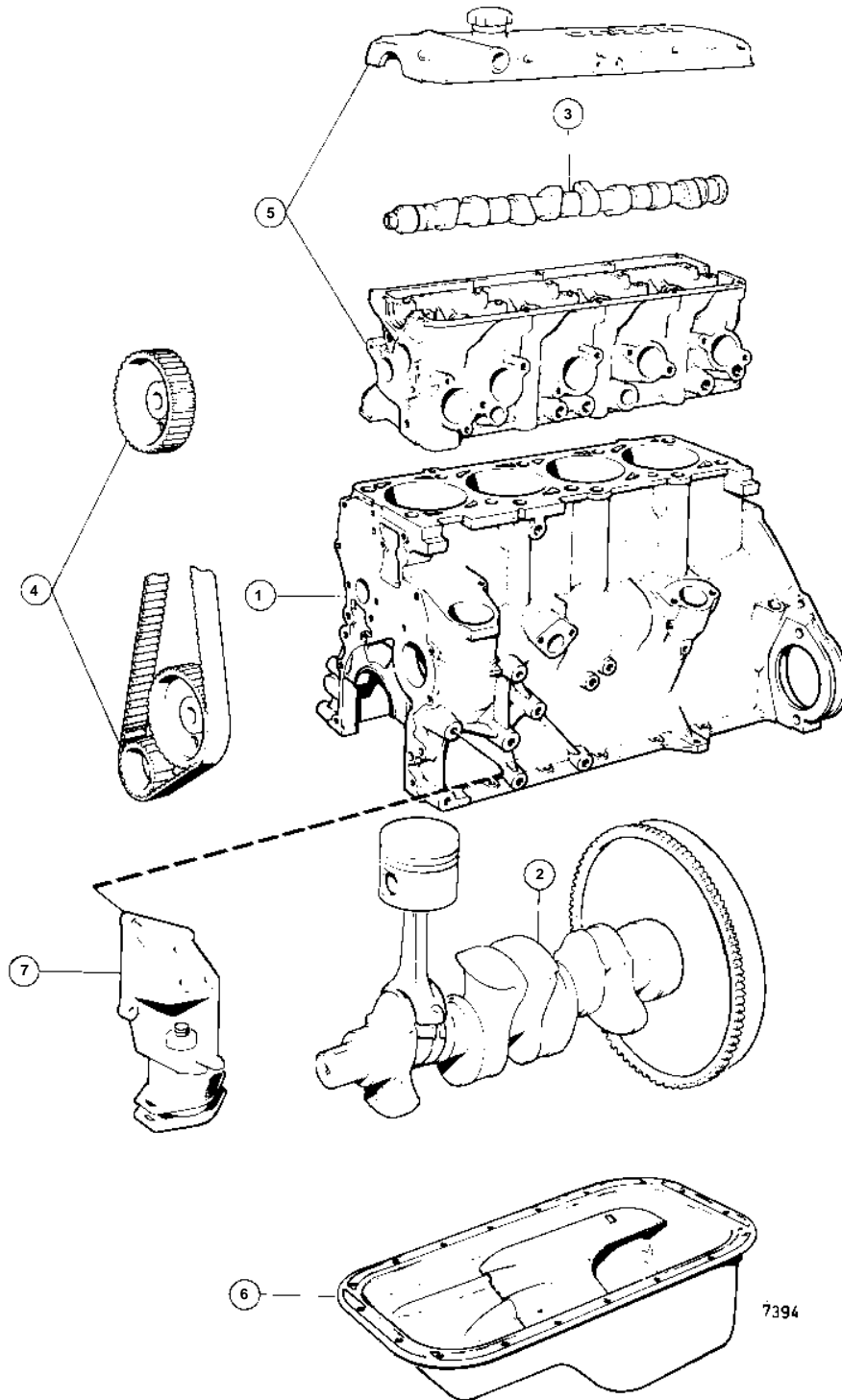


250A, 250B



250A, 250B

REF	QTY	DESCRIPTION	SEE SEC.
1	1	CYLINDER BLOCK	11333
2	1	CRANKSHAFT AND RELATED PARTS	11335
3	1	CAMSHAFT AND VALVE MECHANISM	11337
4	1	BELT TRANSMISSION	11339
5	1	CYLINDER HEAD	11331
6	1	LUBRICATING SYSTEM	11327
7	1	ENGINE MOUNTS	11330