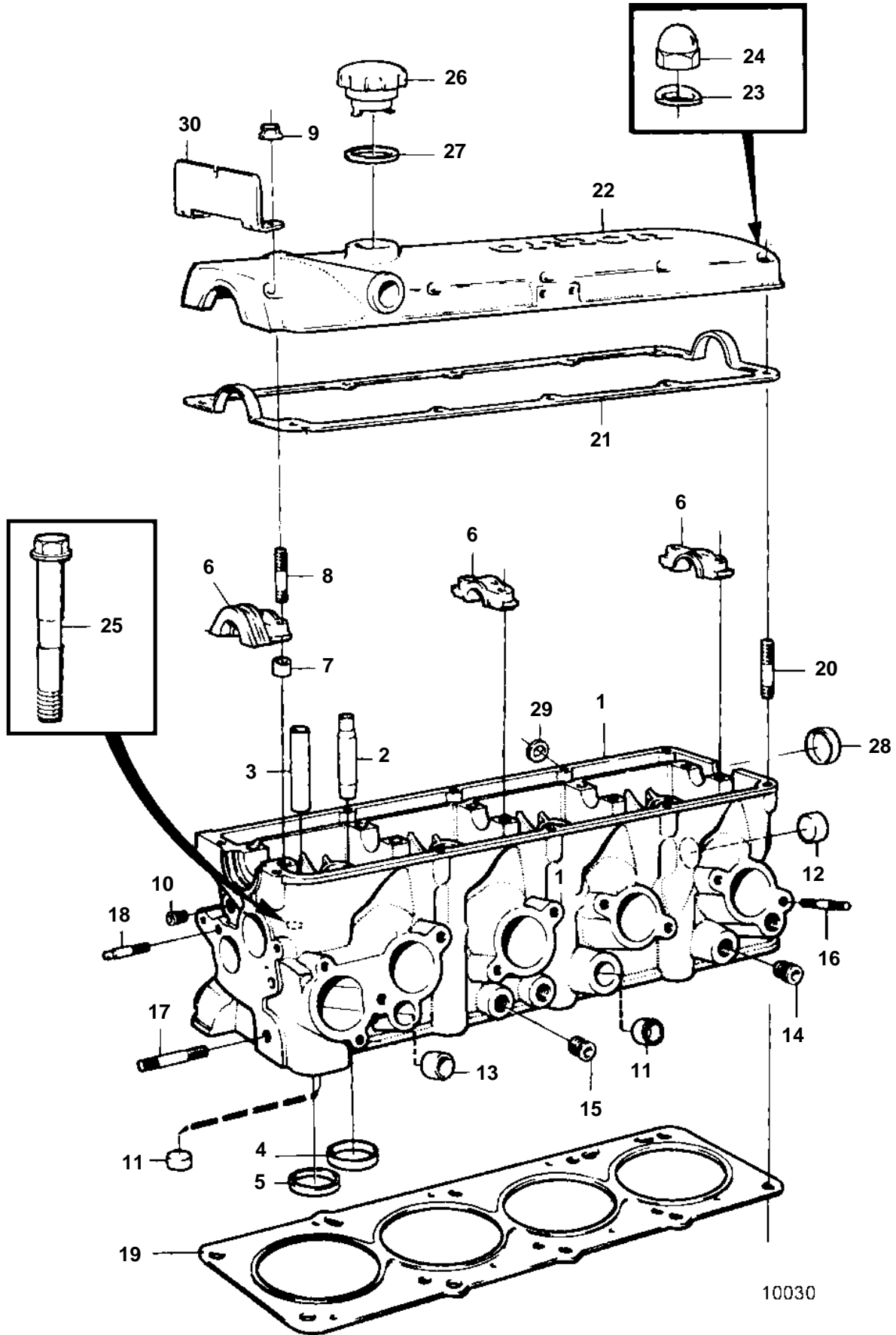


230A, 230B



10030

230A, 230B

REF	PART NO.	QTY	DESCRIPTION	SEE SEC.	NOTES
1	1346408	1	Cylinder head		
	3803166	1	Cylinder head, exch, exch		
2	419652	4	· Valve guide, INTAKE	11336	
3	463771	4	· Valve guide, EXHAUST	11336	
4		4	· VALVE SEAT, INTAKE		STD
		4	· Seat ring, INTAKE		OVER SIZE 0,50 MM
5		4	· VALVE SEAT, EXHAUST		STD
	1266421	4	· Seat ring, EXHAUST		OVER SIZE 0,50 MM
6		5	· BEARING CAP	11336	
7	463690	10	· Guide sleeve	11336	
8	953049	10	· Stud		
9	968862	10	· Nut		(945408)
10	940375	2	· Plug		
11	946779	2	· Cap plug		
12	946780	4	· Cap plug		
13	946778	1	· Cap plug		
14	968145	1	· Plug		(952076)
15	968145	1	Plug		(952076)
16	953046	6	Stud		
17	953077	1	Stud	11338	
18	463390	1	Stud	11338	
19	1378646	1	Cylinder head gasket		(1332644)
20	953035	10	Stud		
21	1378870	1	Gasket		
22	1336754	1	Valve cover		SN-2200005622
	3514361	1	Valve cover		SN 2200005623-
			· Bulletin 41-12	41-12-EN	Valve cover 230B and 250B
23	941906	2	Spring washer		
24	968458	10	Flange cap nut		
25	1306341	10	Screw		
26	3547599	1	Oil filler cap		(1378985)
27	940096	1	Gasket		
28	1336763	1	Cover		
29	855583	1	Insert		
30		1	Belt protector		