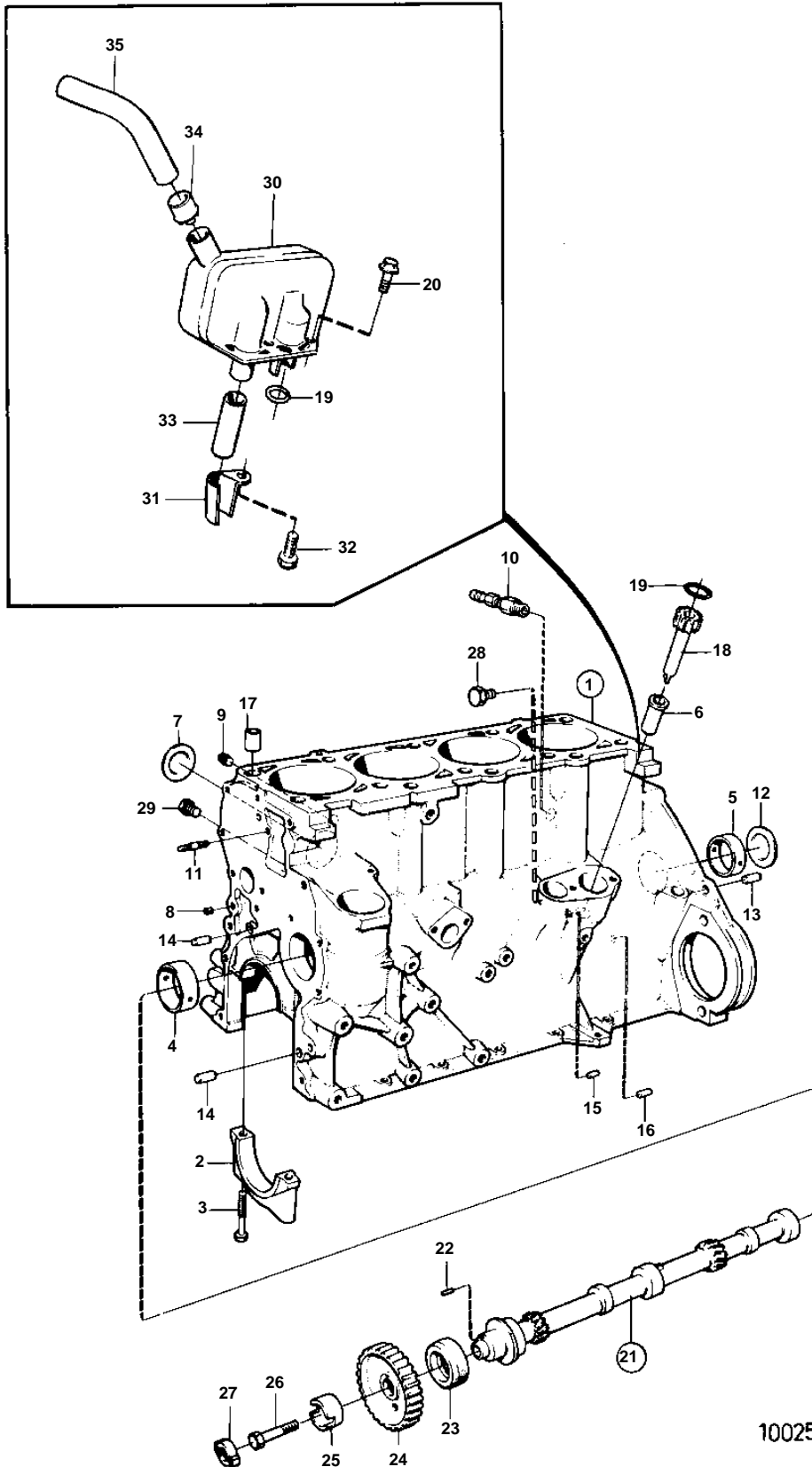


250A, 250B



10025

250A, 250B

| REF | PART NO. | QTY | DESCRIPTION | SEE SEC. | NOTES |
|-----|----------|-----|------------------|----------|---|
| 1 | | 1 | CYLINDER BLOCK | | CYLINDERBLOCK IS ONLY INCLUDED IN SHORT-BLOCK 876142., SEE GROUP 2A |
| 2 | | 5 | · BEARING CAP | | |
| 3 | 945799 | 10 | · Hexagon screw | | |
| 4 | 463360 | 1 | · Bushing | | |
| 5 | 463361 | 2 | · Bushing | | |
| 6 | 463362 | 1 | · Bushing | | |
| 7 | 1542263 | 8 | · Expansion plug | | SN-2200110823 |
| | 3531239 | 8 | · Cap plug | | SN 2200110824- |
| 8 | 968144 | 3 | Plug | | |
| 9 | 968145 | 1 | Plug | | |
| 10 | 947894 | 1 | Shut-off cock | | |
| 11 | 924055 | 2 | Stud | | (924056) |
| 12 | 463905 | 1 | Expansion plug | | |
| 13 | 19730 | 2 | Pin | | |
| 14 | | 1 | Pin | | L = 22 MM |
| | 950562 | 1 | Pin | | L = 16 MM |
| 15 | 950586 | 1 | Pin | | |
| 16 | 950542 | 1 | Pin | | |
| 17 | 415311 | 2 | Guide sleeve | | |
| 18 | 463365 | 1 | Shaft | 11327 | |
| 19 | 925065 | 1 | O-ring | | |
| 20 | 968885 | 2 | Flange screw | | SEE GROUP 2B |
| 21 | 463581 | 1 | Countershaft | | |
| 22 | 3514444 | 1 | · Spring pin | | |
| 23 | 6842273 | 1 | Sealing ring | | (1306333) * |
| 24 | 856239 | 1 | Wheel | | |
| 25 | 856766 | 1 | Companion flange | | |
| 26 | 955322 | 1 | Hexagon screw | | |
| 27 | 831009 | 1 | Cross piece | | |
| 28 | 960630 | 1 | Plug | | |
| 29 | 191026 | 1 | Plug | | |
| 30 | 1306398 | 1 | Oil trap | | |
| 31 | 1306981 | 1 | Hose support | | |
| 32 | 968885 | 1 | Flange screw | | |
| 33 | 1306196 | 1 | Draining pipe | | |
| 34 | | 1 | Flame shield | | |
| 35 | 948553 | X | Hose | | L = 380 MM |