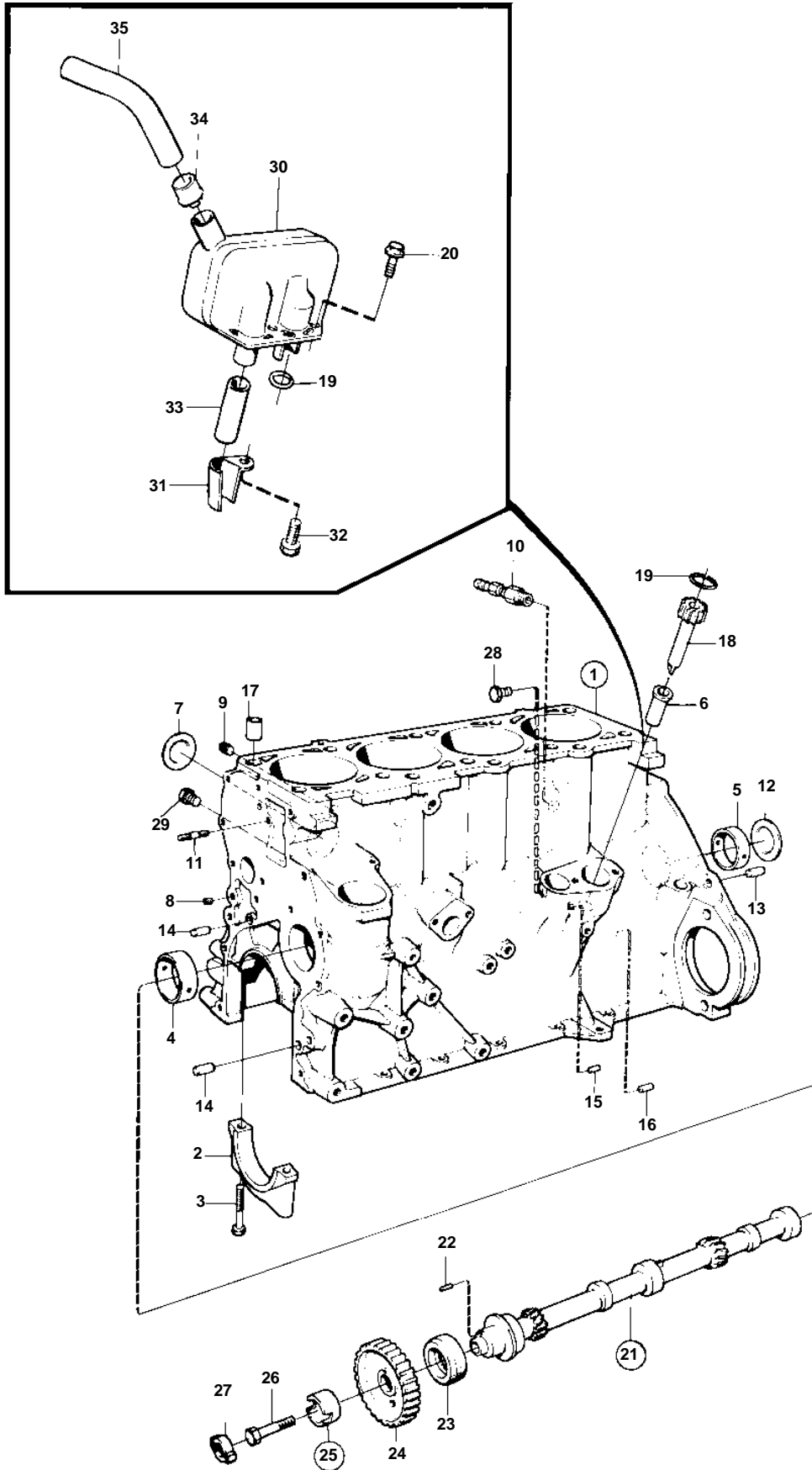


230A, 230B



230A, 230B

REF	PART NO.	QTY	DESCRIPTION	SEE SEC.	NOTES
1		1	CYLINDER BLOCK		CYLINDERBLOCK IS ONLY INCLUDED IN SHORT-BLOCK 876141., SEE GROUP 10A
2		5	· BEARING CAP		
3	945799	10	· Hexagon screw		
4	463360	1	· Bushing		
5	463361	2	· Bushing		
6	463362	1	· Bushing		
7	1542263	8	· Expansion plug		SN-2200023213
	3531239	8	· Cap plug		SN 2200023214-
8	968144	3	Plug		
9	968145	1	Plug		
10	947894	1	Shut-off cock		
11	924055	2	Stud		
12	463905	1	Expansion plug		
13	19730	2	Pin		
14		1	Pin		L = 22 MM
	950562	1	Pin		L = 16 MM
15	950586	1	Pin		
16	950542	1	Pin		
17	415311	2	Guide sleeve		
18	463365	1	Shaft	11326	
19	925065	1	O-ring		
20	968885	2	Flange screw		
21	463581	1	Countershaft		
22	3514444	1	· Spring pin		
23	6842273	1	Sealing ring		(1306333) *
24	856239	1	Wheel		(831972)
25	856766	1	Companion flange		
26	955322	1	Hexagon screw		
27	831009	1	Cross piece		
28	960630	1	Plug		
29	191026	1	Plug		
30	1306398	1	Oil trap		
31	1306981	1	Hose support		
32	968885	1	Flange screw		
33	1306196	1	Draining pipe		
34		1	Flame shield		
35	948553	X	Hose		L = 380 MM