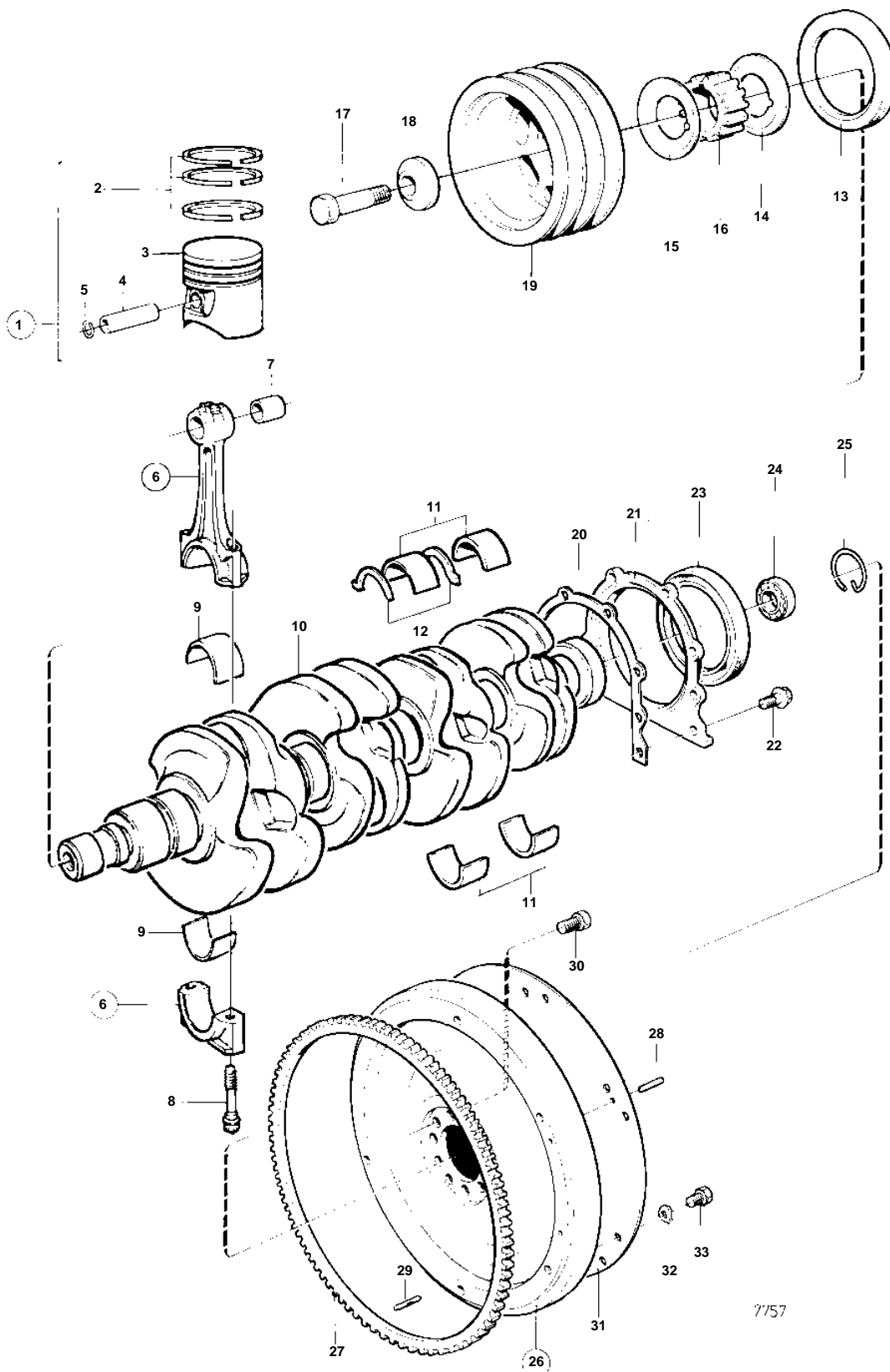


250A, 250B



7757

**250A, 250B**

REF	PART NO.	QTY	DESCRIPTION	SEE SEC.	NOTES
1	876027	4	Piston kit		STD
	876028	4	Piston kit		OVER SIZE 0,30 MM
		4	Piston kit		OVER SIZE 0,60 MM
2	275369	4	· Piston ring kit		STD D
		4	· Piston ring kit		OVER SIZE 0,30 MM
		4	· Piston ring kit		OVER SIZE 0,60 MM
3		4	· PISTON		
4		4	· Piston pin		
5	1346593	8	· Snap ring		
6	3531260	4	Connecting rod		
7		4	· Bushing		
8	1326296	8	· Flange screw		
9	270136	1	Big-end bearing kit		STD D
	270137	1	Big end bearing kit		UNDER SIZE 0,25 MM
	270138	1	Big end bearing kit		UNDER SIZE 0,50 MM
10	3514121	1	Crankshaft		
11	270906	1	Main bearing kit		STD
	270907	1	Main bearing kit		UNDER SIZE 0,25 MM
		1	Main bearing kit		UNDER SIZE 0,50 MM
12		1	· THRUST WASHER REAR		THRUST WASHERS INCLUDED IN MAIN BEARING KIT
		1	· THRUST WASHER, FRONT		THRUST WASHERS INCLUDED IN MAIN BEARING KIT
13	1276424	1	Sealing ring		
				11339	
14	3531184	1	Locating plate		
15	1357621	1	Locating ring		
16	855428	1	Wheel	11339	
17		1	Screw		
18		1	Washer		
19	855608	1	Vibration damper		
20	1378492	1	Gasket		(463829)
21	463263	1	Sealing flange		
22	946544	6	Flange screw		
23	430118	1	Sealing ring		
24	11009	1	Ball bearing		
25	191848	1	Snap ring		
26		1	Flywheel		
27	1326333	1	· Gear ring		
28	950543	3	· Pin		
29		2	· Grooved pin		
30	946379	8	Hexagon screw		
31	855389	1	Absorber		
32	941907	6	Spring washer		
33	946173	6	Flange screw		