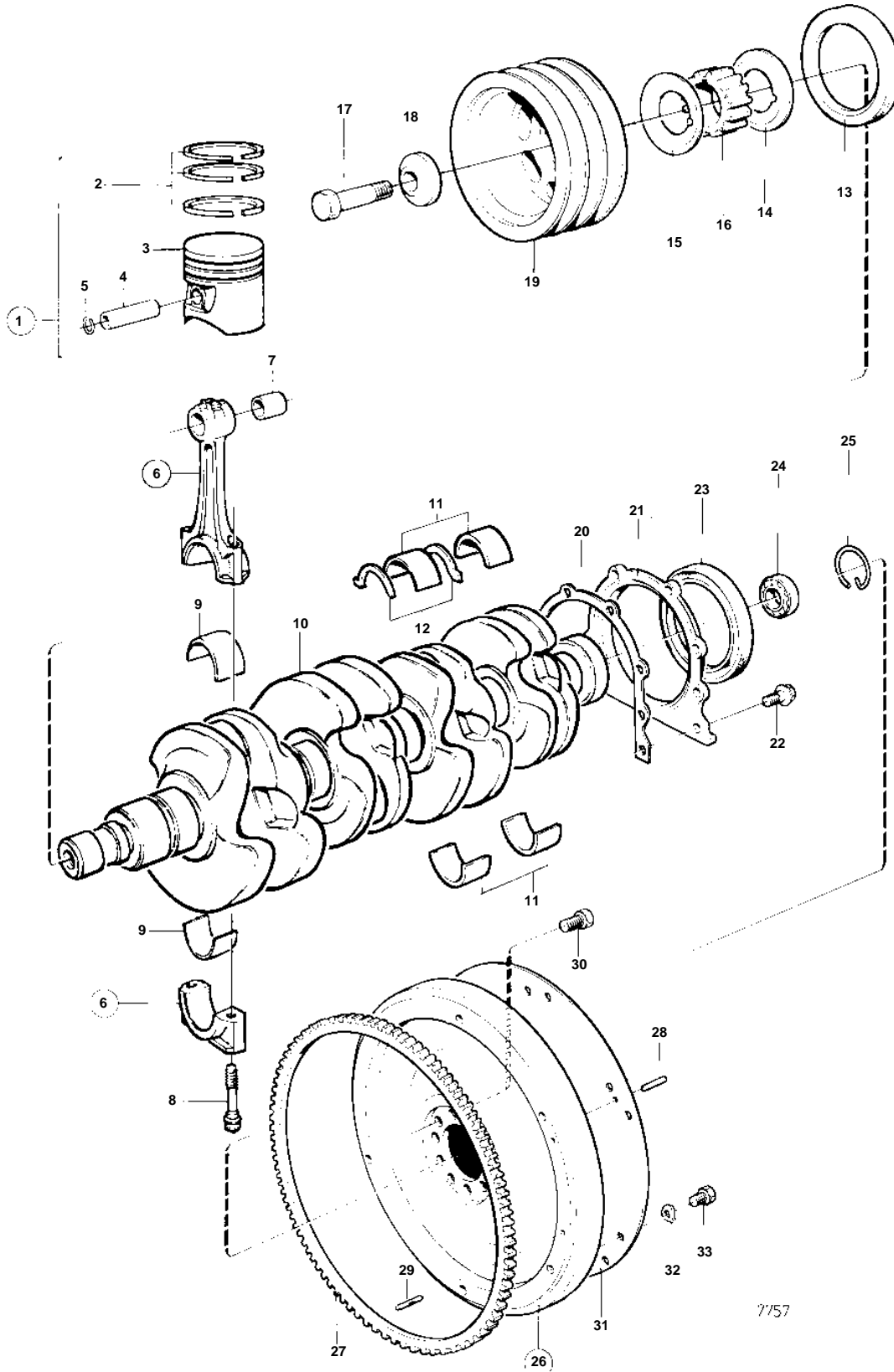


230A, 230B



7757

**230A, 230B**

| REF | PART NO. | QTY | DESCRIPTION            | SEE SEC. | NOTES                                       |
|-----|----------|-----|------------------------|----------|---|
| 1   | 271329   | 4   | Piston kit             |          | STD   |
|     | 271331   | 4   | Piston kit             |          | OVER SIZE 0,30 MM                           |
|     | 271332   | 4   | Piston kit             |          | OVER SIZE 0,60 MM                           |
| 2   | 275369   | 4   | · Piston ring kit      |          | STD D                                       |
|     |          | 4   | · Piston ring kit      |          | OVER SIZE 0,30 MM                           |
|     |          | 4   | · Piston ring kit      |          | OVER SIZE 0,60 MM                           |
| 3   |          | 4   | · PISTON               |          |   |
| 4   |          | 4   | · Piston pin           |          |   |
| 5   | 1346593  | 8   | · Snap ring            |          |   |
| 6   | 3531260  | 4   | Connecting rod         |          |   |
| 7   |          | 4   | · Bushing              |          |   |
| 8   | 1326296  | 8   | · Flange screw         |          |   |
| 9   | 270136   | 1   | Big-end bearing kit    |          | STD D                                       |
|     | 270137   | 1   | Big end bearing kit    |          | UNDER SIZE 0,25 MM                          |
|     | 270138   | 1   | Big end bearing kit    |          | UNDER SIZE 0,50 MM                          |
| 10  | 1378980  | 1   | Crankshaft             |          |   |
| 11  | 270906   | 1   | Main bearing kit       |          | STD D                                       |
|     | 270907   | 1   | Main bearing kit       |          | UNDER SIZE 0,25 MM                          |
|     |          | 1   | Main bearing kit       |          | UNDER SIZE 0,50 MM                          |
| 12  |          | 1   | · THRUST WASHER, REAR  |          | THRUST WASHERS INCLUDED IN MAIN BEARING KIT |
|     |          | 1   | · THRUST WASHER, FRONT |          | THRUST WASHERS INCLUDED IN MAIN BEARING KIT |
| 13  | 1276424  | 1   | Sealing ring           |          |   |
|     |          |     |                        | 11338    |   |
| 14  | 3531184  | 1   | Locating plate         |          |   |
| 15  | 1357621  | 1   | Locating ring          |          |   |
| 16  | 855428   | 1   | Wheel                  | 11338    |   |
| 17  |          | 1   | Screw                  |          |   |
| 18  |          | 1   | Washer                 |          |   |
| 19  | 855476   | 1   | Vibration damper       |          |   |
| 20  | 1378492  | 1   | Gasket                 |          | (463829)                                    |
| 21  | 463263   | 1   | Sealing flange         |          |   |
| 22  | 946544   | 6   | Flange screw           |          |   |
| 23  | 430118   | 1   | Sealing ring           |          |   |
| 24  | 11009    | 1   | Ball bearing           |          |   |
| 25  | 191848   | 1   | Snap ring              |          |   |
| 26  |          | 1   | Flywheel               |          |   |
| 27  | 1326333  | 1   | · Gear ring            |          |   |
| 28  | 950543   | 3   | · Pin                  |          |   |
| 29  |          | 2   | · Grooved pin          |          |   |
| 30  | 946379   | 8   | Hexagon screw          |          |   |
| 31  | 855389   | 1   | Absorber               |          |   |
| 32  | 941907   | 6   | Spring washer          |          |   |
| 33  | 946173   | 6   | Flange screw           |          |   |