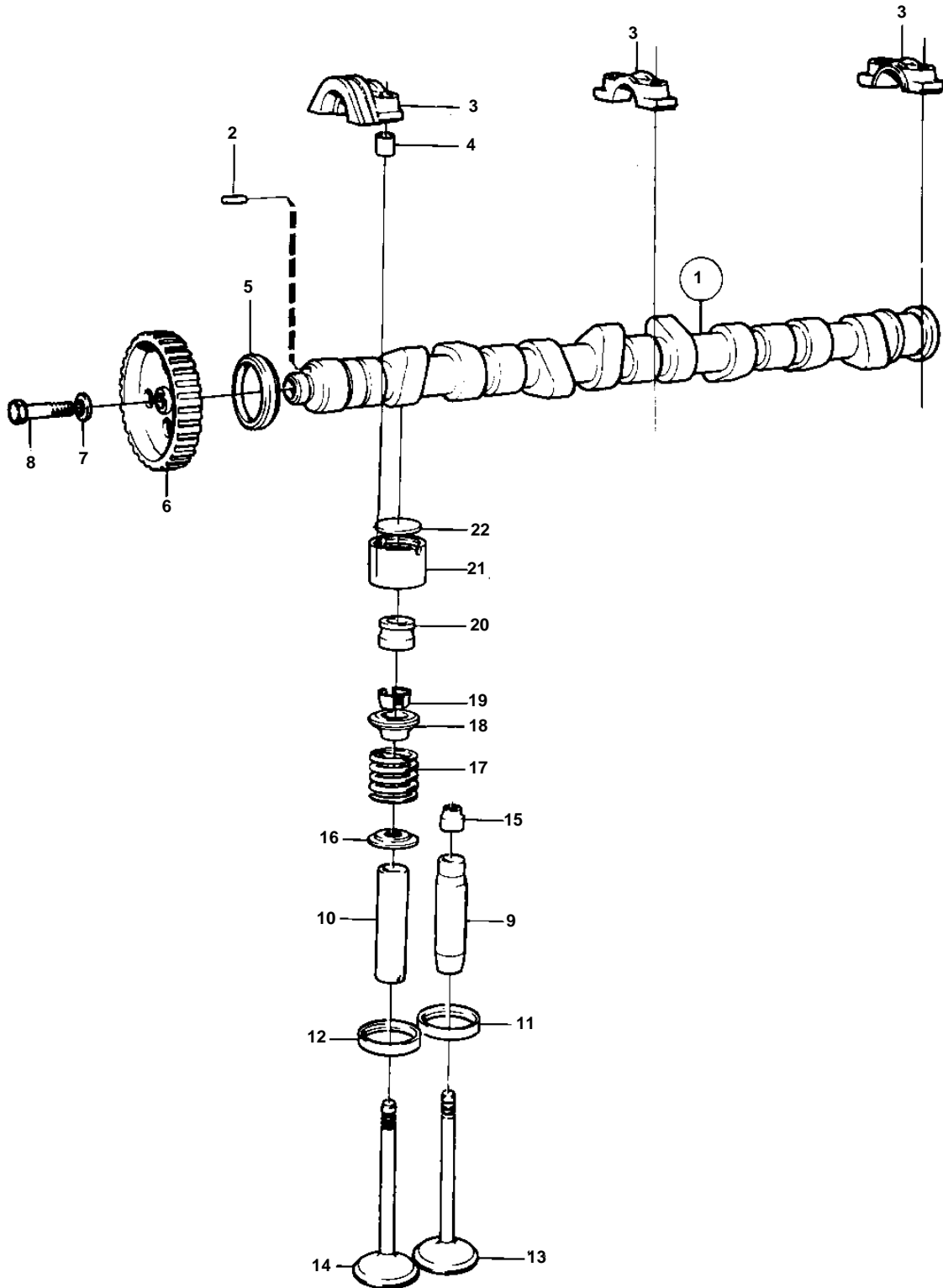


250A, 250B



10171

250A, 250B

REF	PART NO.	QTY	DESCRIPTION	SEE SEC.	NOTES
1	1346442	1	Camshaft		
2		1	• Spring pin		
3		5	BEARING CAP	11331	
4	463690	10	Guide sleeve	11331	
5	6842273	1	Sealing ring		(1306333)
6	856239	1	Wheel		
7	463580	1	Washer		
8	955322	1	Hexagon screw		
9	419652	4	Valve guide	11331	
10	463771	4	Valve guide	11331	
11		4	VALVE SEAT INTAKE		STD
		4	Seat ring		OVER SIZE 0,50 MM
12		4	VALVE SEAT EXHAUST		STD
	1266421	4	Seat ring		OVER SIZE 0,50 MM
13	463395	4	Inlet valve		
14	463526	4	Exhaust valve		
15	1306630	4	Valve stem seal		INLET
16	463399	8	Valve spring washer		
17	463739	8	Valve spring		
18	1266797	8	Valve spring washer		
19	419643	16	Valve collet		
20	3514432	8	Rubber ring		(1219648)
21	463075	8	Valve depressor		
22	463546	8	Adjusting washer		TH = 3,30 MM
	463547	X	Adjusting washer		TH = 3,35 MM
	463548	X	Adjusting washer		TH = 3,40 MM
	463549	X	Adjusting washer		TH = 3,45 MM
	463550	X	Adjusting washer		TH = 3,50 MM
	463551	X	Adjusting washer		TH = 3,55 MM
	463552	X	Adjusting washer		TH = 3,60 MM
	463553	X	Adjusting washer		TH = 3,65 MM
	463554	X	Adjusting washer		TH = 3,70 MM
	463555	X	Adjusting washer		TH = 3,75 MM
	463556	X	Adjusting washer		TH = 3,80 MM
	463557	X	Adjusting washer		TH = 3,85 MM
	463558	X	Adjusting washer		TH = 3,90 MM
	463559	X	Adjusting washer		TH = 3,95 MM
	463560	X	Adjusting washer		TH = 4,00 MM
	463561	X	Adjusting washer		TH = 4,05 MM
	463562	X	Adjusting washer		TH = 4,10 MM
	463563	X	Adjusting washer		TH = 4,15 MM
	463564	X	Adjusting washer		TH = 4,20 MM
	463565	X	Adjusting washer		TH = 4,25 MM
	463566	X	Adjusting washer		TH = 4,30 MM
		X	Adjusting washer		TH = 4,35 MM
	463568	X	Adjusting washer		TH = 4,40 MM
	463569	X	Adjusting washer		TH = 4,45 MM
		X	Adjusting washer		TH = 4,50 MM