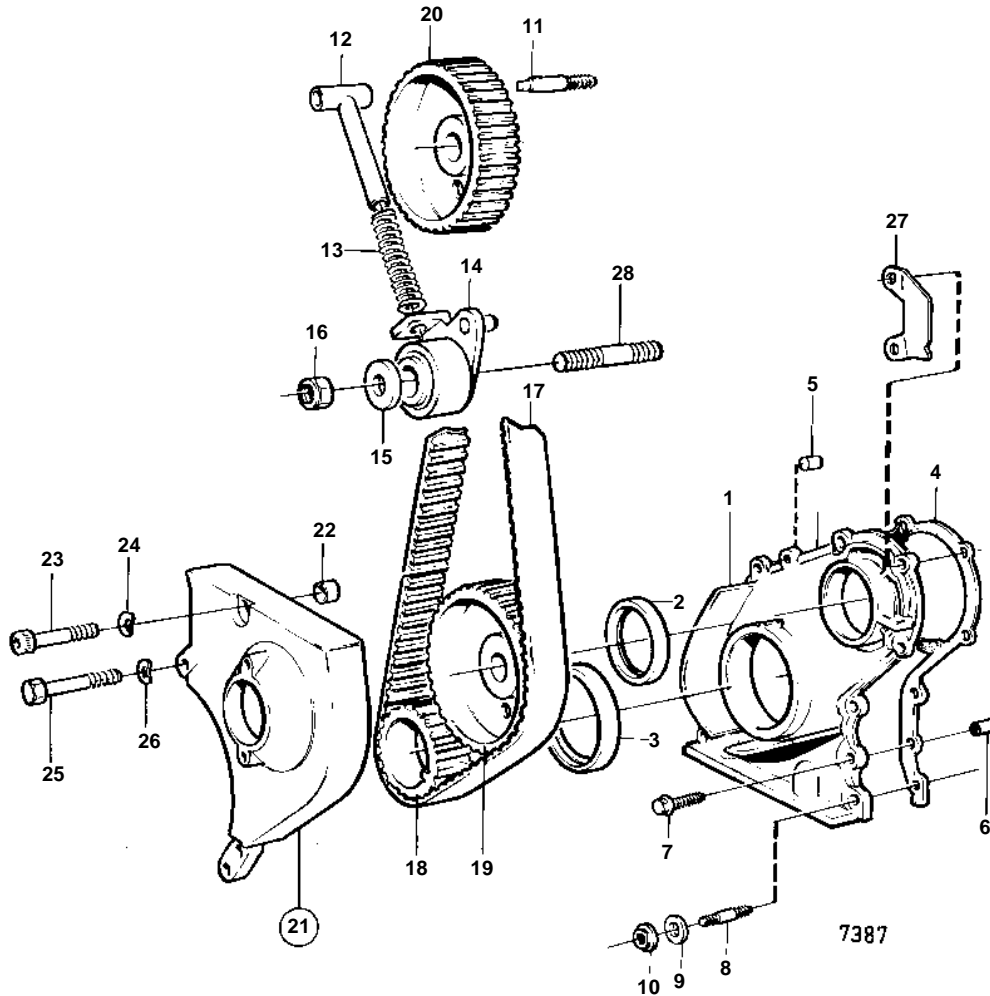


250A, 250B



250A, 250B

REF	PART NO.	QTY	DESCRIPTION	SEE SEC.	NOTES
1		1	Sealing flange		(1276155)
2	6842273	1	Sealing ring		(1306333) *
				11333	
3	1276424	1	Sealing ring		
				11335	
4	1378493	1	Gasket		(1276817)
5	950562	1	Pin		
6		1	Pin		
7	946544	6	Flange screw		
8	924055	2	Stud		
9	955892	2	Washer		
10	945407	2	Flange nut		
11	463390	1	Stud	11331	
12	463386	1	Spring guide		
13	463389	1	Spring		
14	831986	1	Tension pulley		
15	463580	1	Washer		
16	955783	1	Hexagon nut		
17	463377	1	Tooth belt		
18	855428	1	Wheel	11335	
19	856239	1	Wheel, WHEEL WHEEL		
20	856239	1	Wheel		
21	855504	1	Bracket		SEE GROUP 2B
22	828035	1	· Guide bushing		SEE GROUP 2B
23		2	Hex. socket screw		SEE GROUP 2B
24	941907	2	Spring washer		SEE GROUP 2B
25	968877	1	Flange screw		SEE GROUP 2B
26	941906	1	Spring washer		SEE GROUP 2B
27	834485	1	Turn signal		
28	953077	1	Stud	11331	