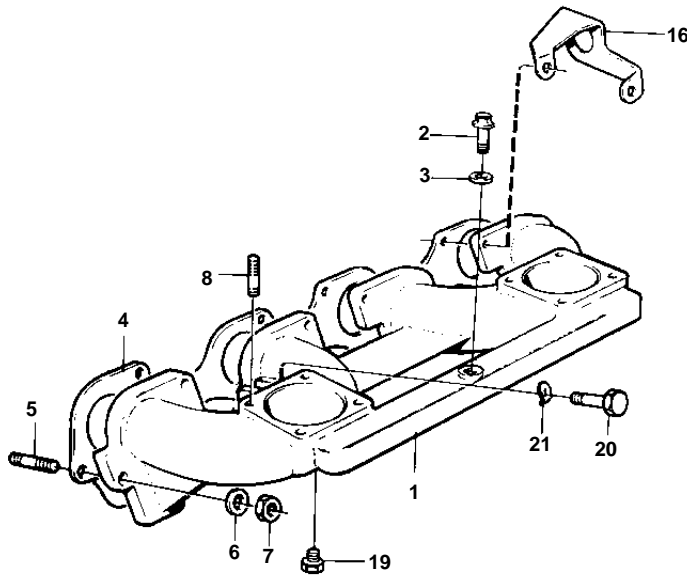
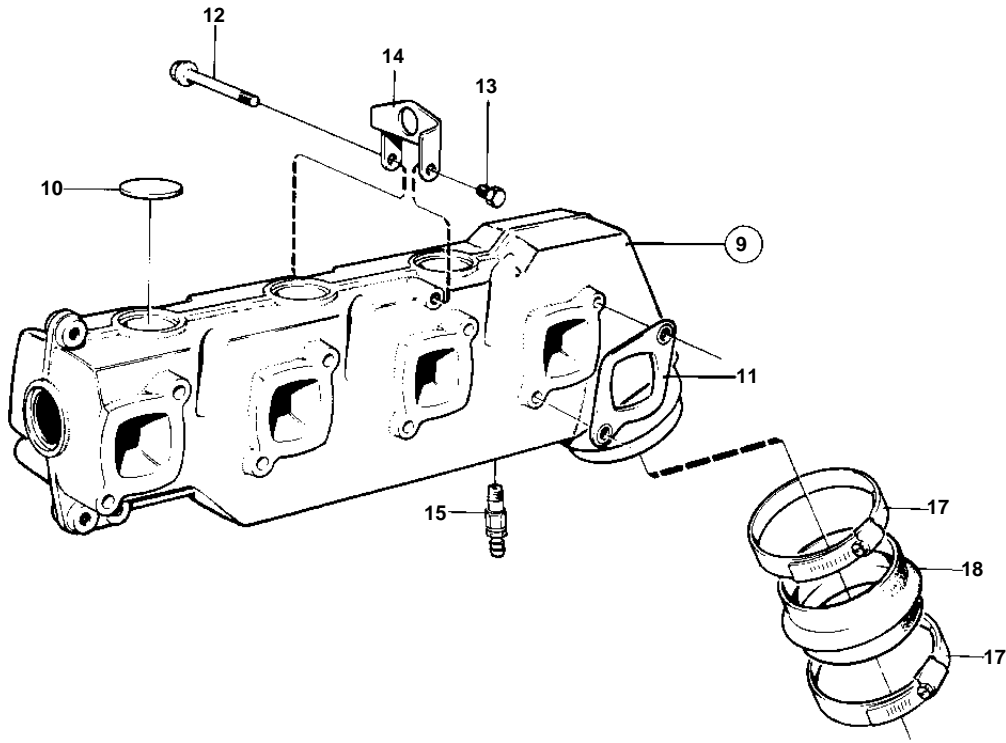


250A, 250B



10064

250A, 250B

REF	PART NO.	QTY	DESCRIPTION	NOTES
1	856507	1	Inlet pipe	REPLACED BY 856729 + 947107 +957171., SN-2200106187
	856729	1	Inlet pipe	SN 2200106188-
2	947107	1	Flange screw	SN 2200106188-
3	957171	1	Gasket	SN 2200106188-
4	1378879	1	Intake gasket	
5	953046	6	Stud	SEE GROUP 2A
6	955894	4	Washer	
7	968862	8	Nut	
8	953044	8	Stud	SEE GROUP 2C
9	855387	1	Exhaust pipe	
10	968955	10	· Expansion plug	
11	855967	4	Gasket	
12	968999	7	Flange screw	L = 130 MM
	955308	1	Hexagon screw	L = 110 MM
13	968883	1	Flange screw	
14		1	LIFT EYE	
15	949918	1	Shut-off cock	SN 2200106148-
16		1	LIFT EYE	
17	853012	2	Hose clamp	SEE GROUP 4A
18	834871	1	Exhaust hose	SEE GROUP 4A *
19	192134	2	Plug	
20	968891	2	Flange screw	
21	941906	2	Spring washer	