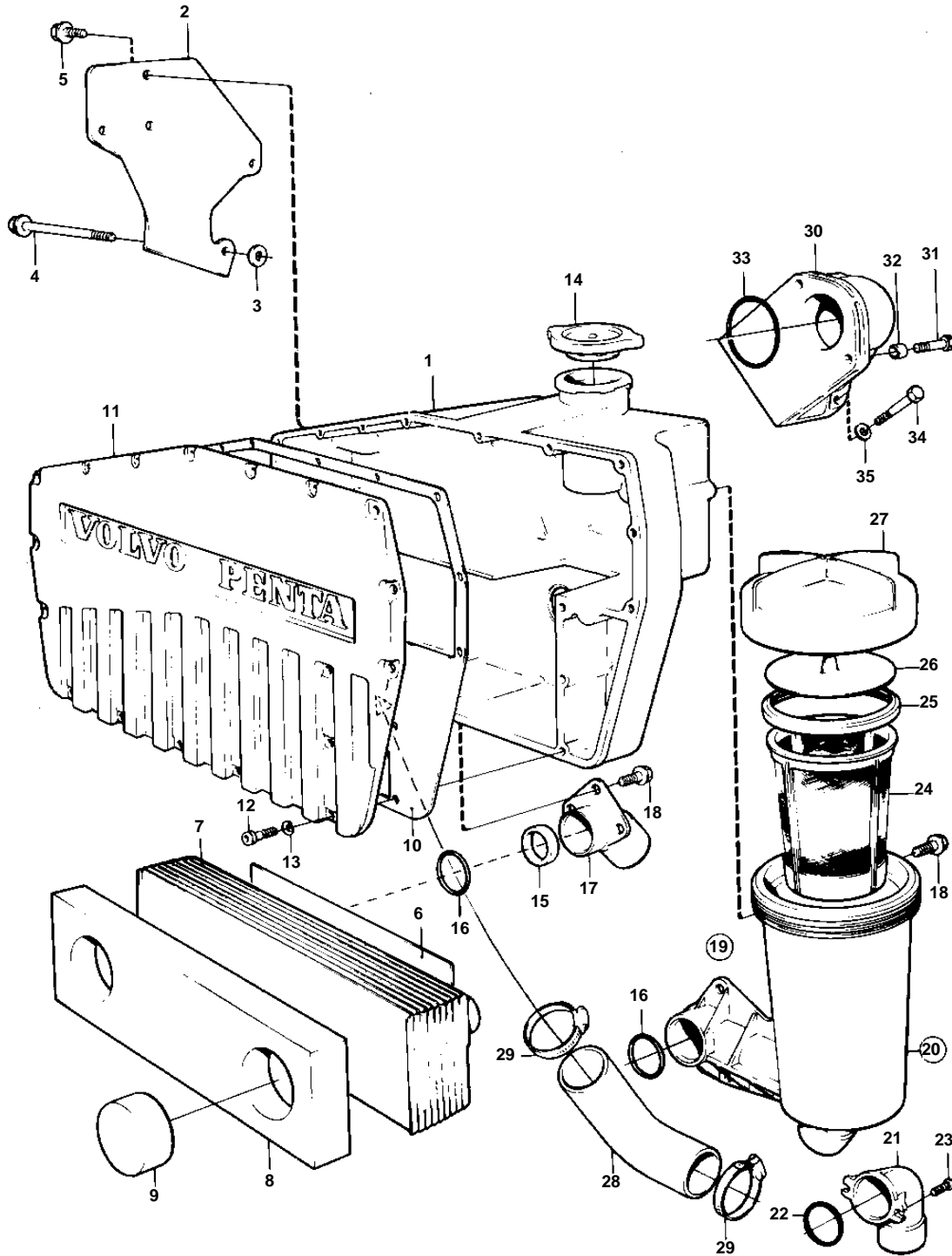


230A/SP-A/MT,230A,230B



10034

**HEAT EXCHANGER AND WATER FILTER WITH INSTALLATION
COMPONENTS: 230A/SP-A MT**

02B

230A/SP-A/MT,230A,230B

REF	PART NO.	QTY	DESCRIPTION	SEE SEC.	NOTES
1	856135	1	Housing		
2	855412	1	Bracket		
3	960148	2	Washer		
4	955308	1	Screw		L = 110 MM
5	968886	4	Screw		
6	855603	1	Isolation		
7	855453	1	Insert		
8	855602	1	Spacer		
9	855601	2	Spacer		
10	855405	1	Seal	IK	
11	855406	1	Cover		
12	855605	18	Screw		
13	941905	18	Spring washer		
14	829205	1	Cover		
15	855582	2	Sealing ring	IK	
16	925067	2	O-ring	IK	
17	856083	1	Connection pipe		
18	968855	7	Flange screw		(967949)
19	855439	1	Strainer		
20	856100	1	· Strainer housing		
21	855791	1	· · Connector		
22	855794	1	· · Sealing ring		
23	972323	2	· · Screw		(955127)
24	855409	1	· Strainer		
25	855423	1	· Gasket		
26	855433	1	· Pressure plate		
27	855410	1	· Cover		
28	855413	1	Hose		
29	961669	2	Hose clamp		
30	855411	1	Thermostat housing	02B-0400	
31	968886	2	Screw		
32	843075	2	Sleeve		
33	925091	1	O-ring	02B-0400	
34	947760	2	Flange screw	02B-0400	
35	955892	2	Washer	02B-0400	