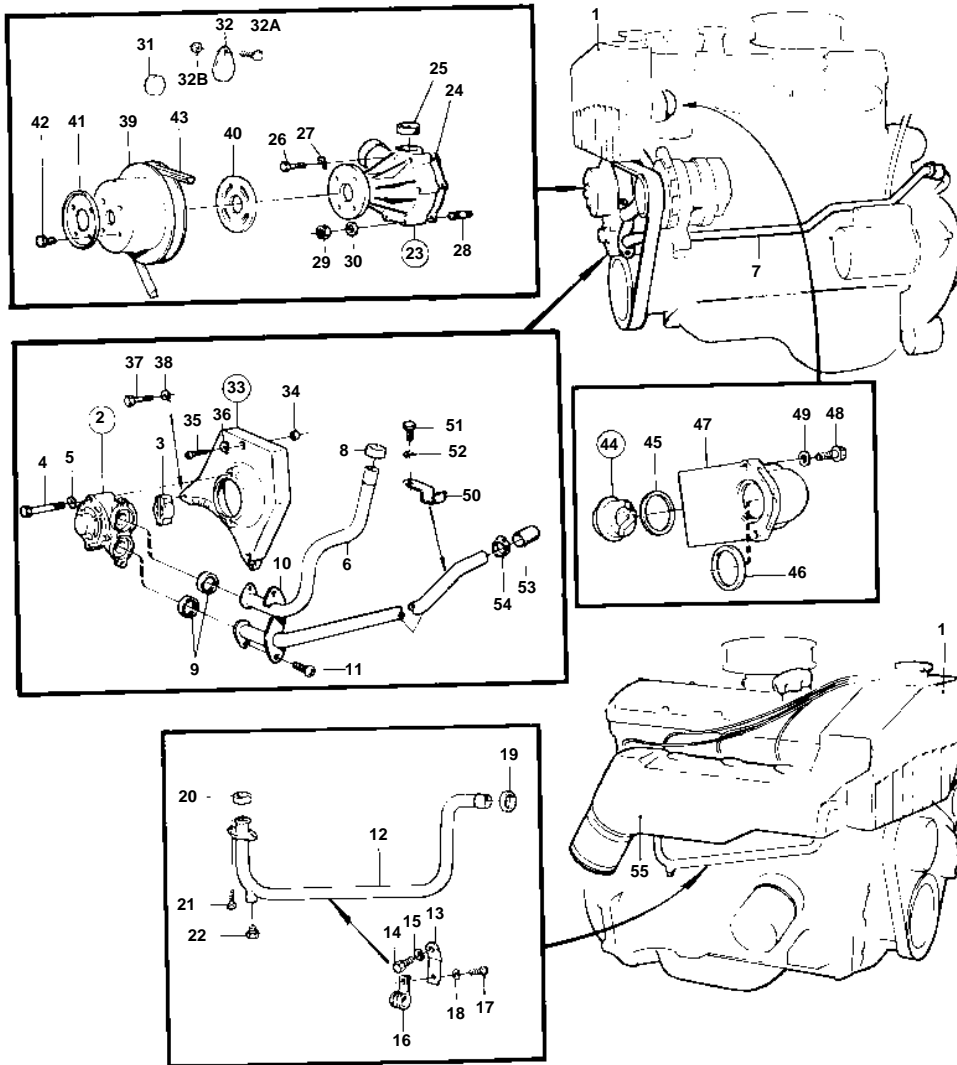


230A/SP-A/MT,230A/SP-A



10042

**230A/SP-A/MT,230A/SP-A**

REF	PART NO.	QTY	DESCRIPTION	SEE SEC.	NOTES
1		1	HEAT EXCHANGER AND WATER FILTER WITH INSTALLATION COMPONENTS	02B-0700	
2	855578	1	Sea water pump	02B-1150	
3	831009	1	Cross piece		SEE GROUP 2A
4	955278	2	Screw		
5	941906	2	Spring washer		
6	855414	1	Tube		
7	834722	1	Tube		
8	418412	1	Sealing ring	IK	
9	831622	2	Gasket	IK	
10	831903	1	Flange		
11	946544	2	Flange screw		
12	855416	1	Tube		
13	855666	1	Bracket		
14	955294	1	Screw		
15	941907	1	Spring washer		
16	952632	1	Clamp		
17	966862	1	Screw		
18	960138	1	Washer		
19	418412	1	Sealing ring	IK	
20	831622	1	Gasket	IK	
21	974676	2	Screw		(968869)
22	180759	1	Plug		
23	3547560	1	Water pump		(1378809)
			COMPONENTS		
24	1378491	1	Gasket	IK	
25	3547991	1	Sealing ring	IK	(1336255)
26	968872	3	Screw		
27	955892	3	Washer		
28	924056	2	Screw		
29	968899	2	Flange nut		
30	955892	2	Washer		
31	418571	1	Plug		
32	1219915	1	Washer		
32A	968871	1	Screw		
32B	968899	1	Flange nut		
33	855504	1	Bracket		SEE GROUP 2A
34	828035	1	· Bushing		SEE GROUP 2A
35	959231	2	Screw		SEE GROUP 2A
36	941907	2	Spring washer		SEE GROUP 2A
37	968877	1	Screw		SEE GROUP 2A
38	941906	1	Spring washer		SEE GROUP 2A
39	463629	1	Pulley		
40	855604	1	Washer		
41	463301	1	Washer		
42	974676	4	Screw		(968869)
43	966694	1	V-belt		SEE GROUP 3
44	875580	1	Thermostat kit	IK	82%Z9C
45	416033	1	· Sealing ring	IK	
46	925091	1	O-ring	IK	
47	855411	1	Thermostat housing		
48	963197	2	Screw		
49	955892	2	Washer		
50	834352	1	Clamp		SEE GROUP 10A. INCLUDED IN SHORTBLOCK 876141.
51	968885	1	Screw		SEE GROUP 2A
52	941907	1	Spring washer		SEE GROUP 2A
53		X	HOSE		SEE GROUP 4A
54		X	HOSE CLAMP		SEE GROUP 4A

230A/SP-A/MT,230A/SP-A

REF	PART NO.	QTY	DESCRIPTION	SEE SEC.	NOTES
55		1	INDUCTION- AND EXHAUST MANIFOLD	02B-1765	