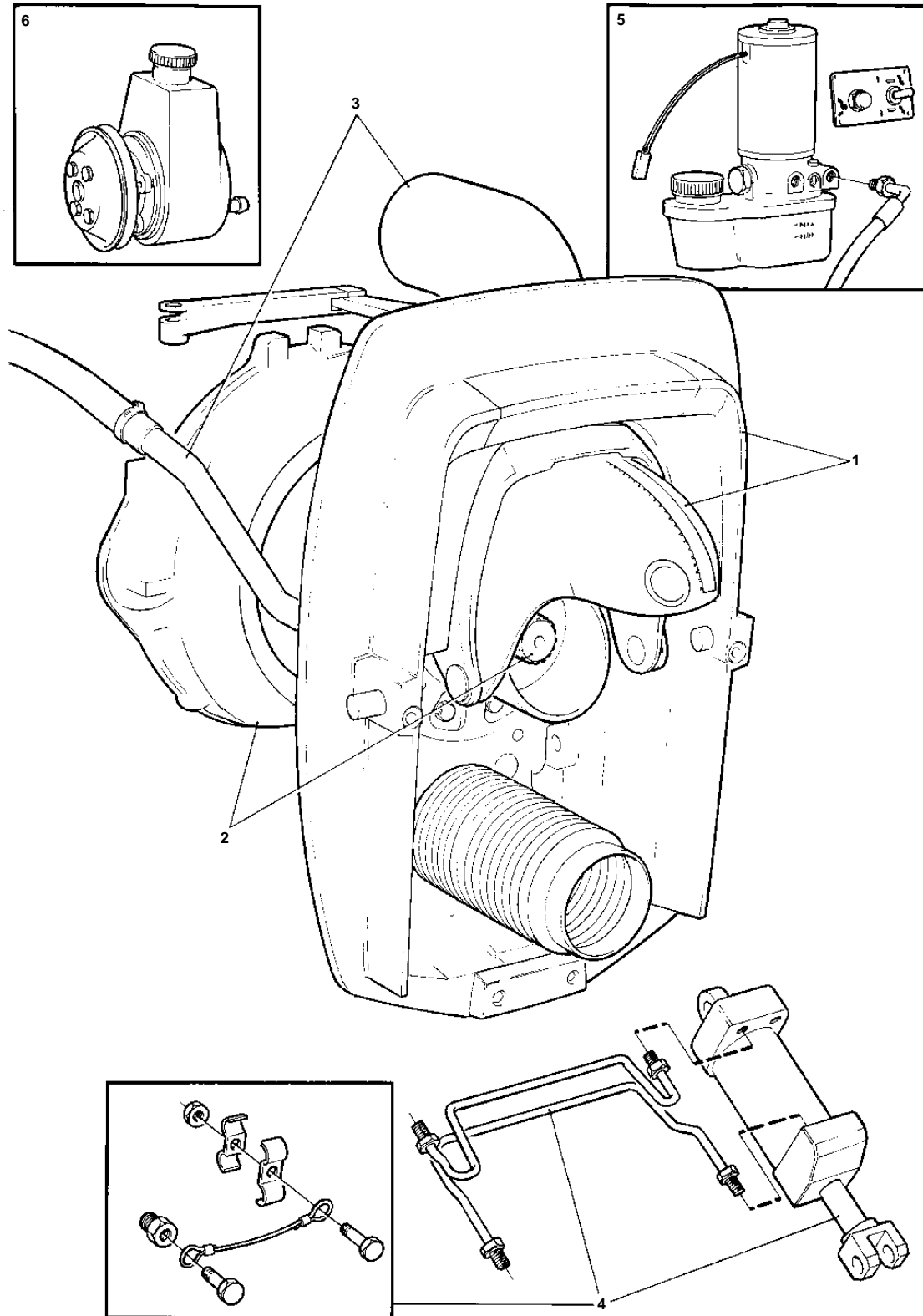


230A,250A



10483

230A,250A

REF	DESCRIPTION	SEE SEC.	NOTES
1	SHIELD WITH MOUNTING COMPONENTS	04A-1450	
2	PRIMARY SHAFT AND CLAMP RING KIT	04A-1500	
3	EXHAUST PIPE AND COOLING WATER PIPE	04A-1550	
4	HYDRAULIC CYLINDERS AND GROUND CABLE KIT	04A-1600	
5	HYDRAULIC PUMP AND TRIM INSTRUMENT WITH INSTALLATION COMPONENTS	04A-1700	
6	POWER STEERING		SEE GROUP 6