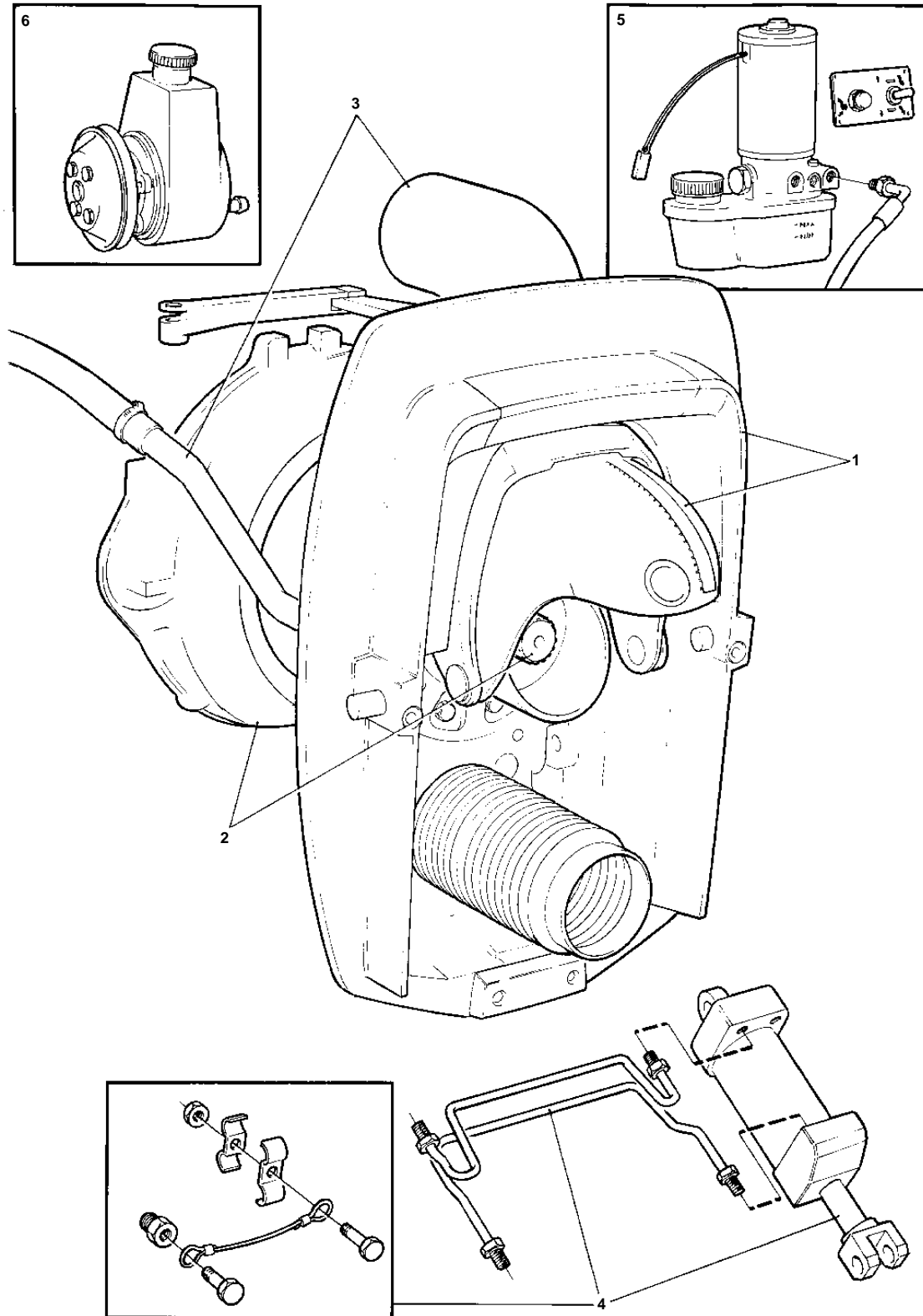


230A,250A



10483

230A,250A

| REF | DESCRIPTION   | SEE SEC. | NOTES       |
|-----|---|----------|-------------|
| 1   | SHIELD WITH MOUNTING COMPONENTS                                 | 04A-1450 |             |
| 2   | PRIMARY SHAFT AND CLAMP RING KIT                                | 04A-1500 |             |
| 3   | EXHAUST PIPE AND COOLING WATER PIPE                             | 04A-1550 |             |
| 4   | HYDRAULIC CYLINDERS AND GROUND CABLE KIT                        | 04A-1600 |             |
| 5   | HYDRAULIC PUMP AND TRIM INSTRUMENT WITH INSTALLATION COMPONENTS | 04A-1700 |             |
| 6   | POWER STEERING  |          | SEE GROUP 6 |