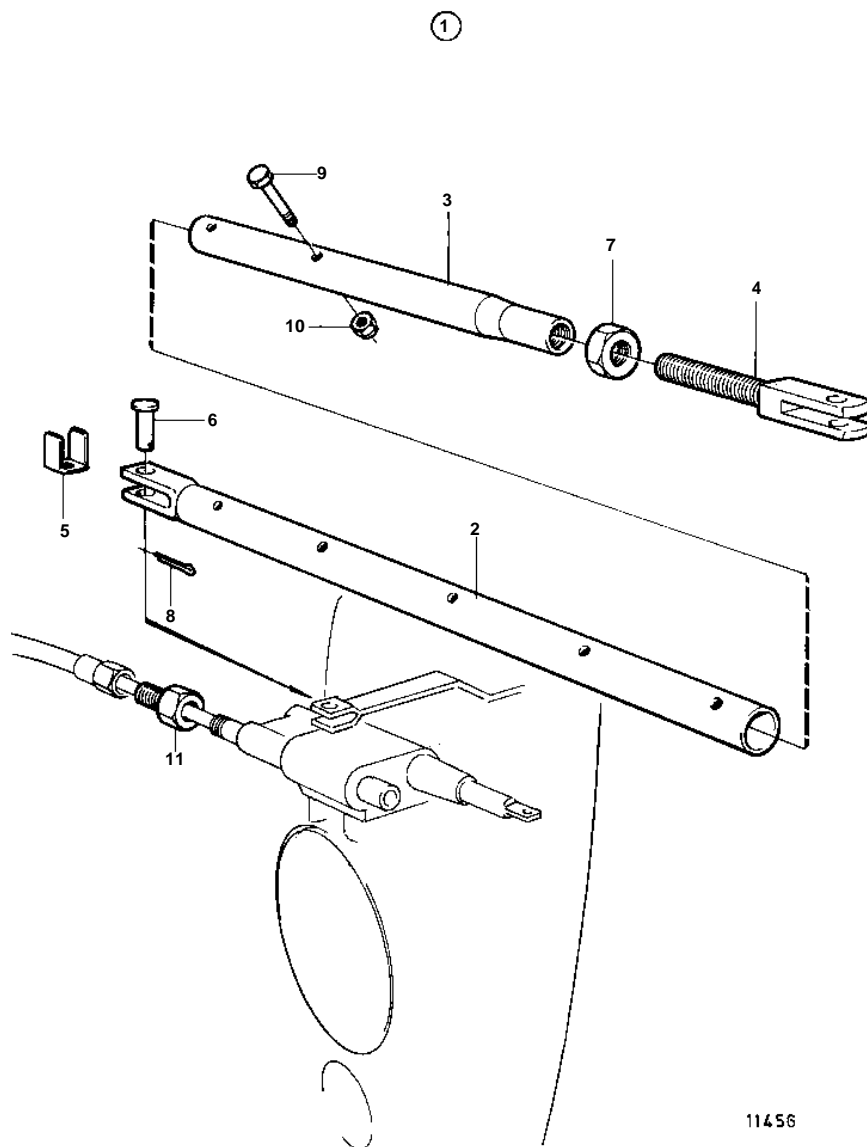


D41, AD41



11456

D41, AD41

REF	PART NO.	QTY	DESCRIPTION	NOTES
1	1140610	1	Link rod kit	L=610-970mm
2	828892	1	· Tube	
3	828893	1	· Tube	
4	828894	1	· Adjusting bar	
5	853160	2	· Lock washer	
6	913158	2	· Clevis pin	
7	955806	1	· Nut	
8	967707	2	· Cotter pin	
9	970951	2	· Screw	
10	971089	2	· Lock nut	
11	1140020	1	Impulse limiter	For twin installation.