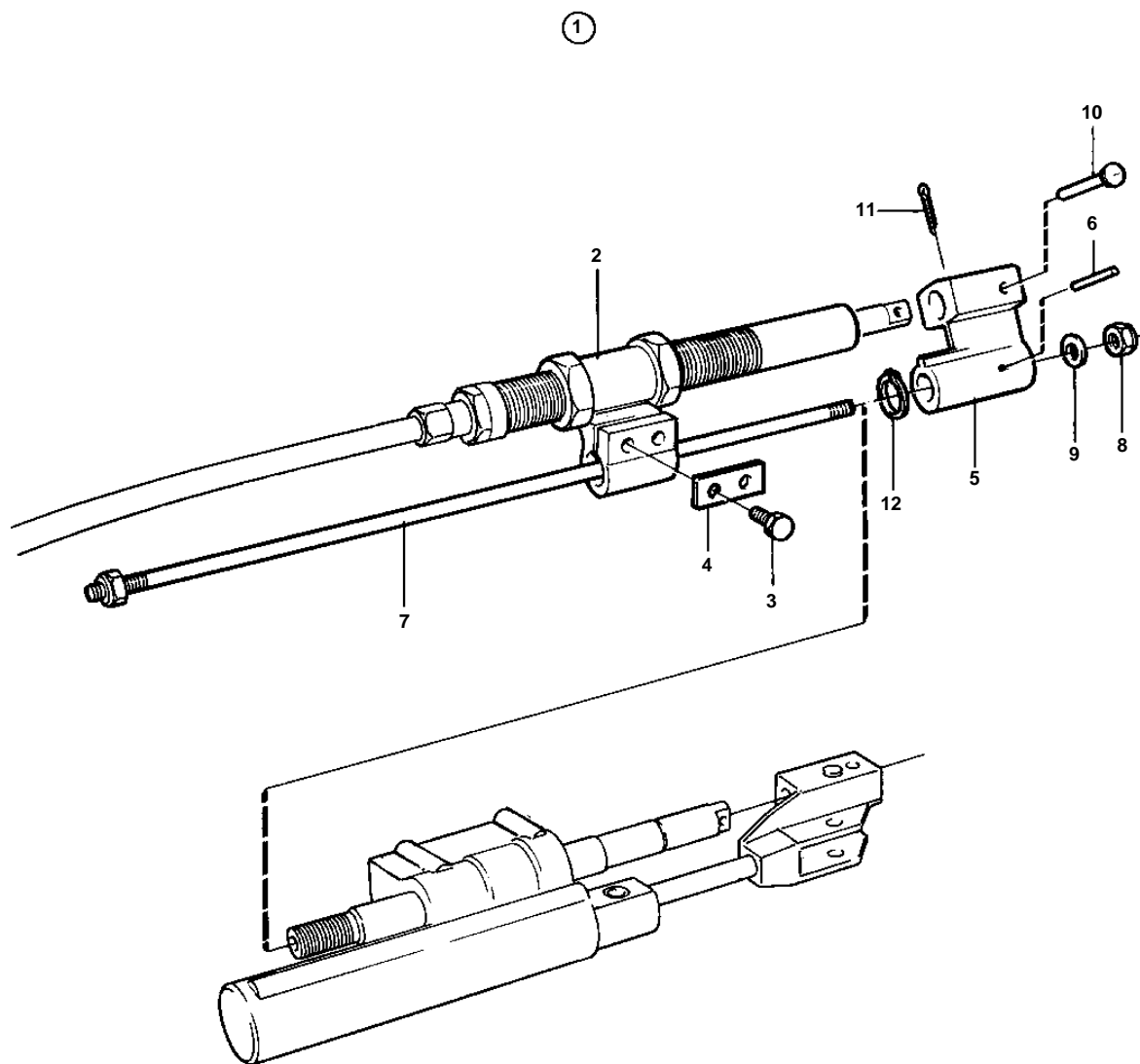


D41, AD41



11472

D41, AD41

REF	PART NO.	QTY	DESCRIPTION
1		1	Connector kit
2		1	· Bracket
3	955297	2	· Screw
4	872445	1	· Lock washer
5		1	· End piece
6	951979	1	· Spring pin
7		1	· Rod
8	966175	1	· Lock nut
9	955900	1	· Washer
10		1	· Clevis pin
11	964960	1	· Cotter pin
12	914456	1	· Lock ring