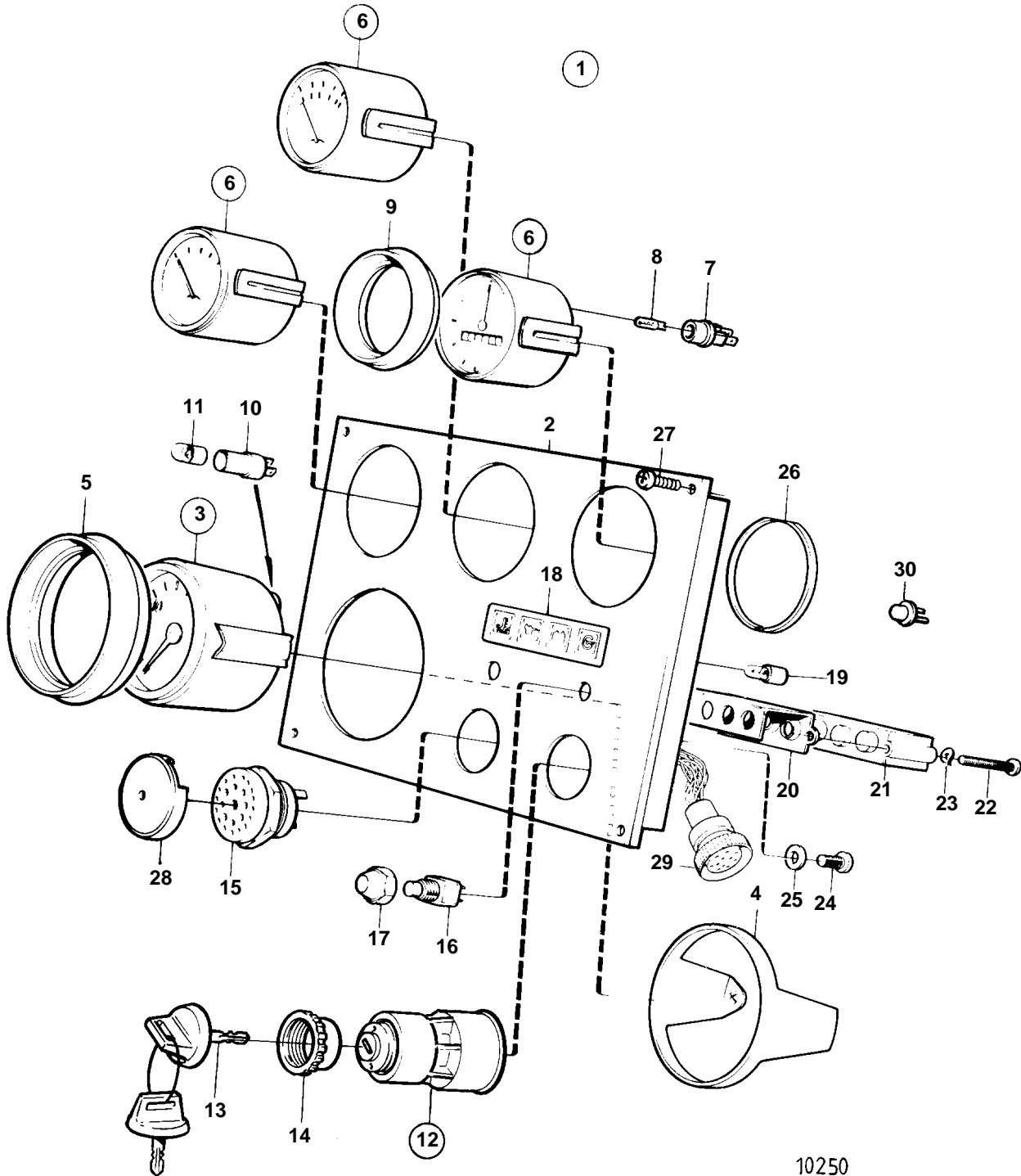


COMMON



10250

COMMON

REF	PART NO.	QTY	DESCRIPTION	SEE SEC.	NOTES
1	864041	1	Instrument panel		24V
2	860182	1	• Instrument panel		
3	854912	1	• Tachometer		
4	849523	1	• • Attaching ring		
5	858644	1	• Front ring		
6	863933	1	• Thermometer		
	863935	1	• Oil pressure gauge, oil-pressure		
	863931	1	• Voltmeter		
7	863945	3	• • Bulb socket		
8	863947	3	• • Bulb		24V
9	858643	3	• Front ring		
10	808175	1	• Bulb socket		
11	182059	1	• Bulb		24V
12	864277	1	• Starter switch		
13	859953	2	• • Key	SO	State key code when ordering.
			• • Bulletin 49-30	49-30-EN	Key P/N 859953
14	859955	1	• • Plastic nut		
15	828587	1	• Buzzer		
16	828584	1	• Switch		ALARM TEST
	828585	1	• Switch		INSTR. LIGHT
17	828586	2	• Nut		
18	858645	1	• Symbol strip		
19	828818	4	• Bulb		24V
20	828784	1	• Reflector		
21	828783	1	• Electronic unit		
22	941615	2	• Screw		
23	941904	2	• Spring washer		
24	949947	1	• Screw		
25	941904	1	• Spring washer		
26	828803	3	• Ring		
27	828647	4	• Screw		
28	858795	1	• Protecting casing		
29	859050	1	• Cable kit		
30	1518870	1	• Diode		