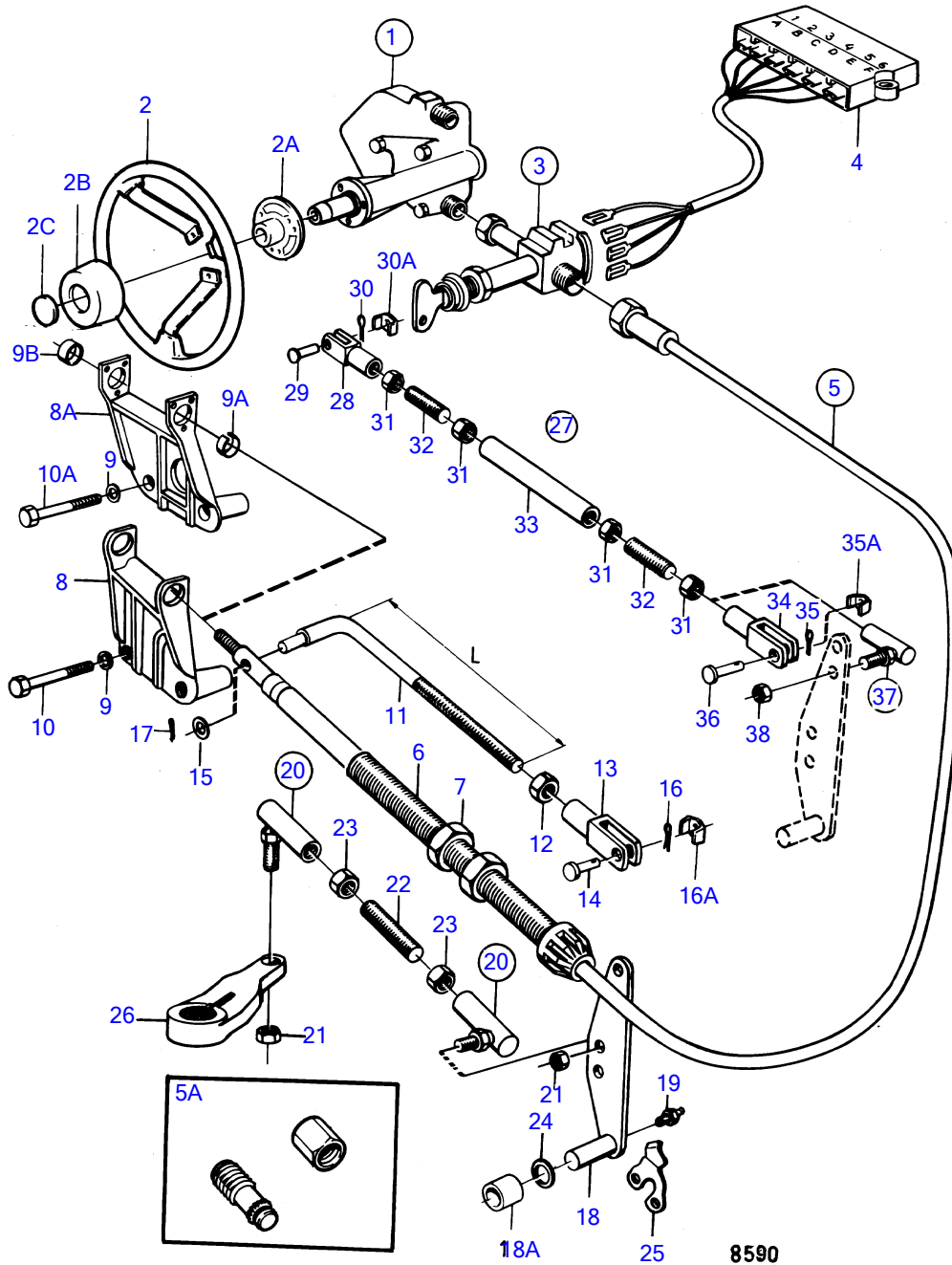


TMD41A, TMD41B, D41A, D41B, TAMD41A, TAMD41B, AQAD41A, AD41A, AD41B



8590

TMD41A, TMD41B, D41A, D41B, TAMD41A, TAMD41B, AQAD41A, AD41A, AD41B

REF	PART NO.	QTY	DESCRIPTION	SEE SEC.	NOTES
1	850809	1	Steering head		
				19616	
2	850936	1	Steering wheel		(814138)
2A		1	• steering wheel hub		
2B	(828943)	1	• Steering wheel pad		Obsolete part
2C	(850938)	1	• Emblem		Obsolete part
3	(839544)	1	Steering lock		Obsolete part
				19617	
4	(839617)	1	Extension cable'verl		Obsolete part
5	850810	X	Steering cable		L=3000mm
	850811	X	Steering cable		Replaced by steering cable 853186 and adapter 853214, L=3300mm
	853186	X	Steering cable		L=3300mm
	850812	X	Steering cable		Replaced by steering cable 853188 and adapter 853214, L=3600mm
	853188	X	Steering cable		L=3750mm
	850813	X	Steering cable		L=3900mm
	850814	X	Steering cable		L=4200mm
	850815	X	Steering cable		Replaced by steering cable 853191 and adapter 853214, L=4500mm
	853191	X	Steering cable		L=4500mm
	850816	X	Steering cable		Replaced by steering cable 853192 and adapter 853214, L=4800mm
	853192	X	Steering cable		L=4800mm
	850817	X	Steering cable		L=5100mm
	850818	X	Steering cable		Replaced by steering cable 853194 and adapter 853214, L=5500mm
	853194	X	Steering cable		L=5500mm
	850820	X	Steering cable		Replaced by steering cable 853195 and adapter 853214, L=6100mm
	853195	X	Steering cable		L=6000mm
	850822	X	Steering cable		Replaced by steering cable 828866 and adapter 853214, L=6700mm
	828866	X	Steering cable		L=6750mm
	850826	X	Steering cable		Replaced by steering cable 853287 and adapter 853214, L=7900mm
	853287	X	Steering cable		L=8000mm
	850828	X	Steering cable		Replaced by steering cable 853288 and adapter 853214, L=8500mm
	853288	X	Steering cable		L=8500mm
5A	853214	X	Adapter		
6	850771	1	Anchorage		(835693)
7	850778	4	Nut		(955861)
8		1	bracket		Replaced by 1ea bracket 850958, 2ea bolt 955541, 1ea bushing 850959, 1ea bushing 850960.
8A	(850958)	1	Guide bracket		Obsolete part
9	942336	2	Spring washer		
9A	(850960)	1	Bushing		Obsolete part
9B	(850959)	1	Bushing		Obsolete part
10	955542	2	Hexagon screw		L=83mm
10A	955541	2	Hexagon screw		L=76mm
11	(850478)	1	Link rod		L=318mm, Obsolete part
	(850479)	1	Link rod		L=195mm, Obsolete part
12	940154	1	Hexagon nut		
13	(956511)	1	Fork		Obsolete part
14	913158	1	Clevis pin		
15	940097	1	Washer		
16	(907856)	1	Split pin		Obsolete part
16A	853160	1	• Lock washer		Drive unit 290
17	964960	1	Split pin		
18	(851385)	1	Link arm		Obsolete part
18A	850653	1	Bushing		See group 4A
19	914169	1	Lubricating nipple		
20	(875772)	2	Ball joint kit		Obsolete part
21	851326	2	• Nut		
22	850736	1	Control rod		
23	940152	2	Hexagon nut		
24	955906	1	Washer		
25	(850489)	1	Stop arm		Obsolete part
26	(850488)	1	Spindle arm		Obsolete part, See group 4A
27	(828913)	1	Link stay		Only for twin installation., Adjustable between 610-1000mm, Obsolete part

7745630-64-19607

8590

Upd:2011-09-27

TMD41A, TMD41B, D41A, D41B, TAMD41A, TAMD41B, AQAD41A, AD41A, AD41B

REF	PART NO.	QTY	DESCRIPTION	SEE SEC.	NOTES
	(851497)	1	Tie rod end kit		Only for twin installation., (850673), Obsolete part
	(850776)	1	Tie rod		Only for twin installation., Adjustable between 540-800mm., Repl by 828913, Obsolete part
28	(956511)	1	• Fork		Obsolete part
29	913158	1	• Clevis pin		
30	(907856)	1	• Split pin		Obsolete part
30A	853160	1	• Lock washer		Drive unit 290
31	940154	4	• Hexagon nut		
32	(839577)	2	• Rod		Obsolete part
33	(839576)	1	• Tube		L=560mm, Obsolete part
	(850775)	1	• Tube		Only included in 850776., L=360mm, Obsolete part
34	(956511)	1	• Fork		Only included in 850674., Obsolete part
35	(907856)	1	• Split pin		Obsolete part
35A	853160	1	• Lock washer		Drive unit 290
36	913158	1	• Clevis pin		
37	(814152)	1	• Ball joint		Only included in 850673., Obsolete part
38	950386	1	• • Lock nut		Only included in 850673.

7745630-64-19607

8590

Upd:2011-09-27