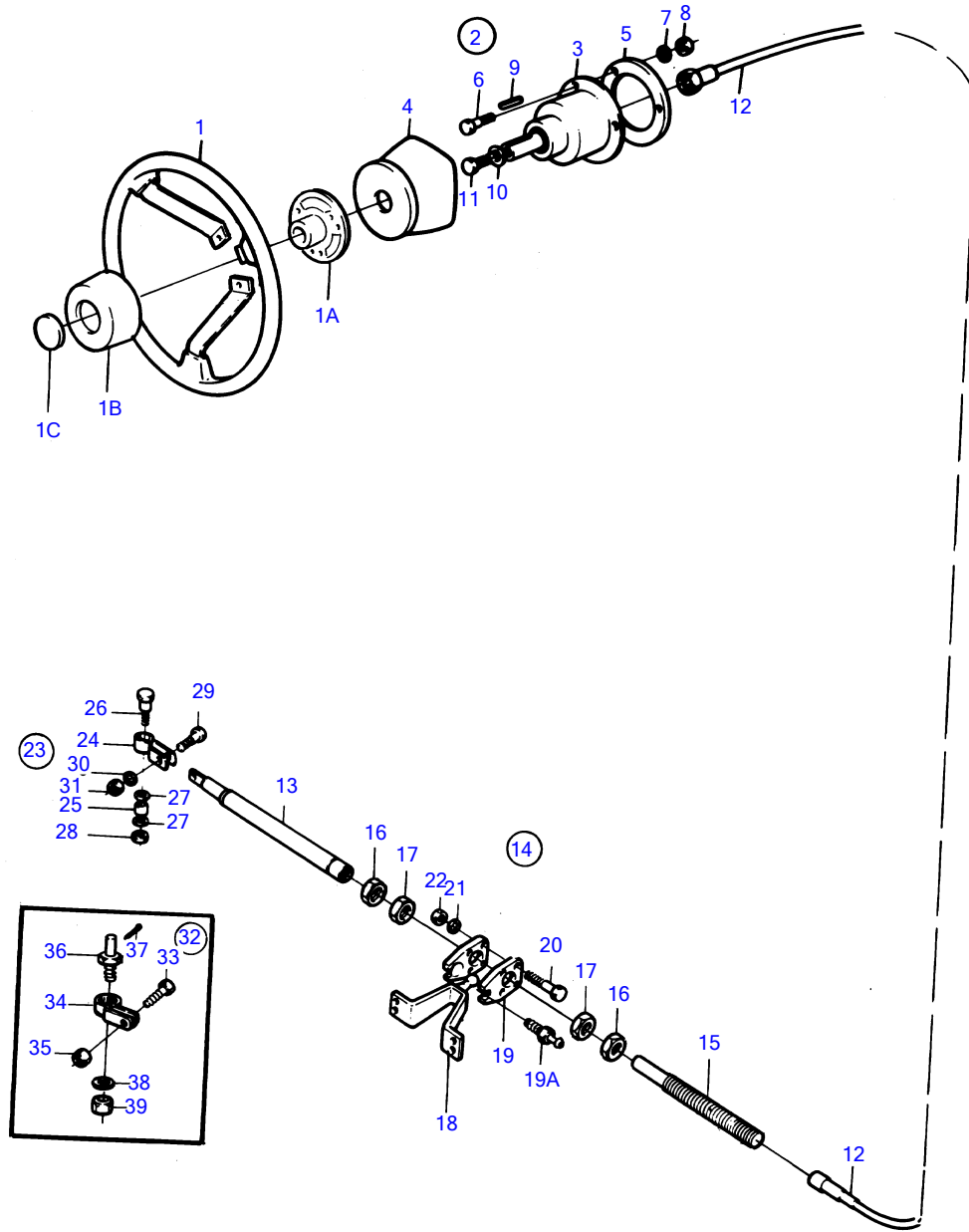


TMD41A, TMD41B, D41A, D41B, TAMD41A, TAMD41B, AQAD41A, AD41A, AD41B



8522

TMD41A, TMD41B, D41A, D41B, TAMD41A, TAMD41B, AQAD41A, AD41A, AD41B

REF	PART NO.	QTY	DESCRIPTION	NOTES
1	850936	1	Steering wheel	
1A		1	• steering wheel hub	
1B	(828943)	1	• Steering wheel pad	Obsolete part
1C	(850938)	1	• Emblem	Obsolete part
2	(851056)	1	Steering gear	Obsolete part
3		1	• steering gear	
4	(851057)	1	• Cover	Obsolete part
5	(851069)	1	• Washer	Obsolete part
6	940101	3	• Hexagon screw	
7	941906	3	• Spring washer	(955892)
8	955781	3	• Hexagon nut	
9	(851349)	1	• Key	Obsolete part
10	(948823)	1	• Washer	Obsolete part
11	970944	1	• Hexagon screw	(940148)
12	(852035)	X	Steering cable	L=800mm, Obsolete part
	(851016)	X	Steering cable, steering cable	L=2500mm, Obsolete part Repl by 851017
	(851017)	X	Steering cable	L=2750mm, Obsolete part
	(851018)	X	Steering cable	L=3000mm, Obsolete part
	(851019)	X	Steering cable, steering cable	L=3250mm, Obsolete part Repl by 851020
	(851020)	X	Steering cable	L=3500mm, Obsolete part
	(851021)	X	Steering cable	L=3750mm, Obsolete part
	(851022)	X	Steering cable	L=4000mm, Obsolete part
	(851023)	X	Steering cable	L=4250mm, Obsolete part
	(851024)	X	Steering cable	Obsolete part, L=4500mm
	(851025)	X	Steering cable	L=4750mm, Obsolete part
	(851026)	X	Steering cable	L=5000mm, Obsolete part
	(851027)	X	Steering cable	L=5250mm, Obsolete part
	(851028)	X	Steering cable	L=5500mm, Obsolete part
	(851029)	X	Steering cable	L=5750mm, Obsolete part
	(851030)	X	Steering cable	Obsolete part, L=6000mm
	(851031)	X	Steering cable	L=6500mm, Obsolete part
	(851032)	X	Steering cable	L=7000mm, Obsolete part
	(851033)	X	Steering cable	L=7500mm, Obsolete part
	(851034)	X	Steering cable	L=8000mm, Obsolete part
	(851921)	X	Steering cable	L=8500mm, Obsolete part
	(851922)	X	Steering cable	L=9000mm, Obsolete part
	(851923)	X	Steering cable	L=9500mm, Obsolete part
13	(851059)	1	Steering cylinder	For port mounting., Obsolete part
	(851147)	1	Steering cylinder	For starboard mounting., Obsolete part
14	(853290)	1	Stern attachment	Obsolete part
15	850771	1	• Anchorage	
16	850778	2	• Nut	
17	853306	2	• Nut	
18	851093	1	• Bracket	
19	828854	2	• Anchorage	Early type
	828854	1	• Anchorage	Late type
	828857	1	• Anchorage	Late type
19A	951739	1	• Lubricating nipple	For 828857
20	940101	4	• Hexagon screw	Early type
	940101	2	• Hexagon screw	Late type
21	941906	4	• Spring washer	Early type
	941906	2	• Spring washer	Late type
22	963105	4	• Lock nut	Early type
	963105	2	• Lock nut	Late type
23	851122	1	• Ball joint kit	Repl by 828924
24		1	• • bracket	
25	(851121)	1	• • Sleeve	Obsolete part
26	(851117)	1	• • Shoulder screw	Obsolete part
27	942551	2	• • Washer	
28	(966172)	1	• • Lock nut	Obsolete part
29	(851118)	1	• • Shoulder screw	Obsolete part

7745630-64-19609

8522

Upd:2011-09-27

TMD41A, TMD41B, D41A, D41B, TAMD41A, TAMD41B, AQAD41A, AD41A, AD41B

REF	PART NO.	QTY	DESCRIPTION	NOTES
30	941670	1	• • Washer	
31	(966171)	1	• • Lock nut	Obsolete part
32	828924	1	• Ball joint kit	(851122)
33	(851118)	1	• Shoulder screw	Obsolete part
34		1	• bracket	
35	(966171)	1	• Lock nut	Obsolete part
36		1	• split pin screw	
37	967707	1	• Split pin	
38	955897	1	• Washer	
39	963119	1	• Lock nut	