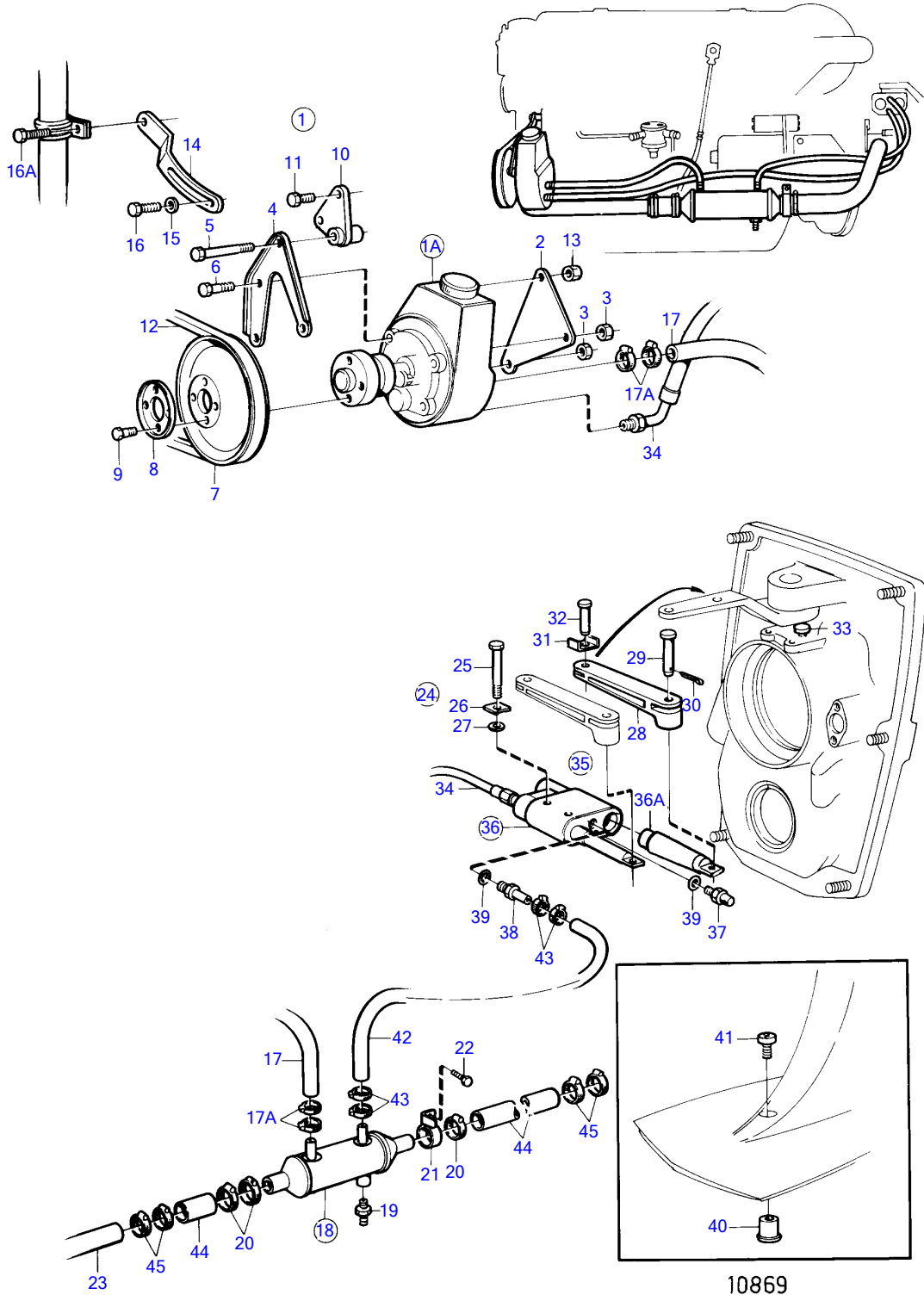


D41A, D41B, AQAD41A, AD41A, AD41B



D41A, D41B, AQAD41A, AD41A, AD41B

| REF | PART NO. | QTY | DESCRIPTION | SEE SEC. | NOTES |
|-----|----------|-----|------------------------|----------|-------------------------------------|
| 1 | 858702 | 1 | Power steering pump | | |
| | | | Bulletin 54-01 | 54-01-EN | New Servo Pump Kit |
| 1A | (838310) | 1 | • Power steering pump | | Obsolete part |
| 1 | | | • • | 19615 | |
| 2 | 838892 | 1 | • Bracket | | |
| 3 | 971095 | 1 | • Flange nut | | (945409) |
| | 971083 | 1 | • Lock nut | | |
| 4 | 838893 | 1 | • Bracket | | |
| 5 | 955557 | 1 | • Hexagon screw | | |
| 6 | 946329 | 2 | • Flange screw | | L=25mm |
| | 946441 | 1 | • Flange screw | | L=20mm |
| 7 | 1219961 | 1 | • V-belt pulley | | |
| 8 | 464541 | 1 | • Washer | | |
| 9 | 944926 | 4 | • Flange screw | | |
| 10 | 838312 | 1 | • Bracket | | |
| 11 | 947760 | 2 | • Flange screw | | |
| 12 | 967123 | 1 | • V-belt | | (960470) |
| 13 | 950355 | 1 | • Lock nut | | |
| 14 | 838073 | 1 | • Tensioner | | |
| 15 | 960141 | 1 | • Washer | | |
| 16 | 946173 | 1 | • Flange screw | | |
| 16A | 965217 | 1 | • Flange screw | | |
| 17 | 838311 | 1 | • Return hose | | L=1800mm |
| 17A | 961664 | 4 | • Hose clamp | | |
| 18 | 858541 | 1 | • Oil cooler | | |
| 19 | 949918 | 1 | • • Shut-off cock | | |
| 20 | 961670 | 3 | • Hose clamp | | |
| 21 | 858545 | 1 | • Bracket | | |
| 22 | 946173 | 1 | • Flange screw | | |
| 23 | | 1 | cooling water pipe | | See group 2B |
| 24 | (858722) | 1 | Power steering kit | | Obsolete part |
| 25 | 968247 | 2 | • Hexagon screw | | |
| 26 | 853254 | 2 | • Striker plate | | |
| 27 | 941908 | 2 | • Spring washer | | |
| 28 | (852787) | 1 | • Link rod | | Obsolete part |
| 29 | 852789 | 1 | • Split pin | | |
| 30 | (907856) | 1 | • Split pin | | Obsolete part |
| 31 | 853160 | 1 | • Lock washer | | |
| 32 | 913158 | 1 | • Clevis pin | | |
| 33 | 184700 | 1 | • Roller | | |
| 34 | 853454 | 1 | • Hose | | |
| 35 | | 1 | • | | |
| 36 | (852741) | 1 | • • Steering cylinder | | Obsolete part |
| | (853307) | 1 | • • • Repair kit | | Obsolete part |
| 36A | (853983) | 1 | • • • Piston rod guide | | Obsolete part |
| 37 | 957031 | 1 | • • Nipple | | |
| 38 | 946152 | 1 | • • Nipple | | |
| 39 | 958226 | 2 | • • O-ring | | |
| 40 | 853531 | 1 | • • Anode kit | | For drive unit DP290A. |
| | (853589) | 1 | • • Plug | | Obsolete part, For drive unit 290A. |
| 41 | 959437 | 1 | • • Hex. socket screw | | |
| 42 | 838311 | X | Return hose | | |
| 43 | 961664 | X | Hose clamp | | |
| 44 | | X | hose | | |
| 45 | 961670 | X | Hose clamp | | |

7745630-64-19613

10869

Upd:2011-09-27