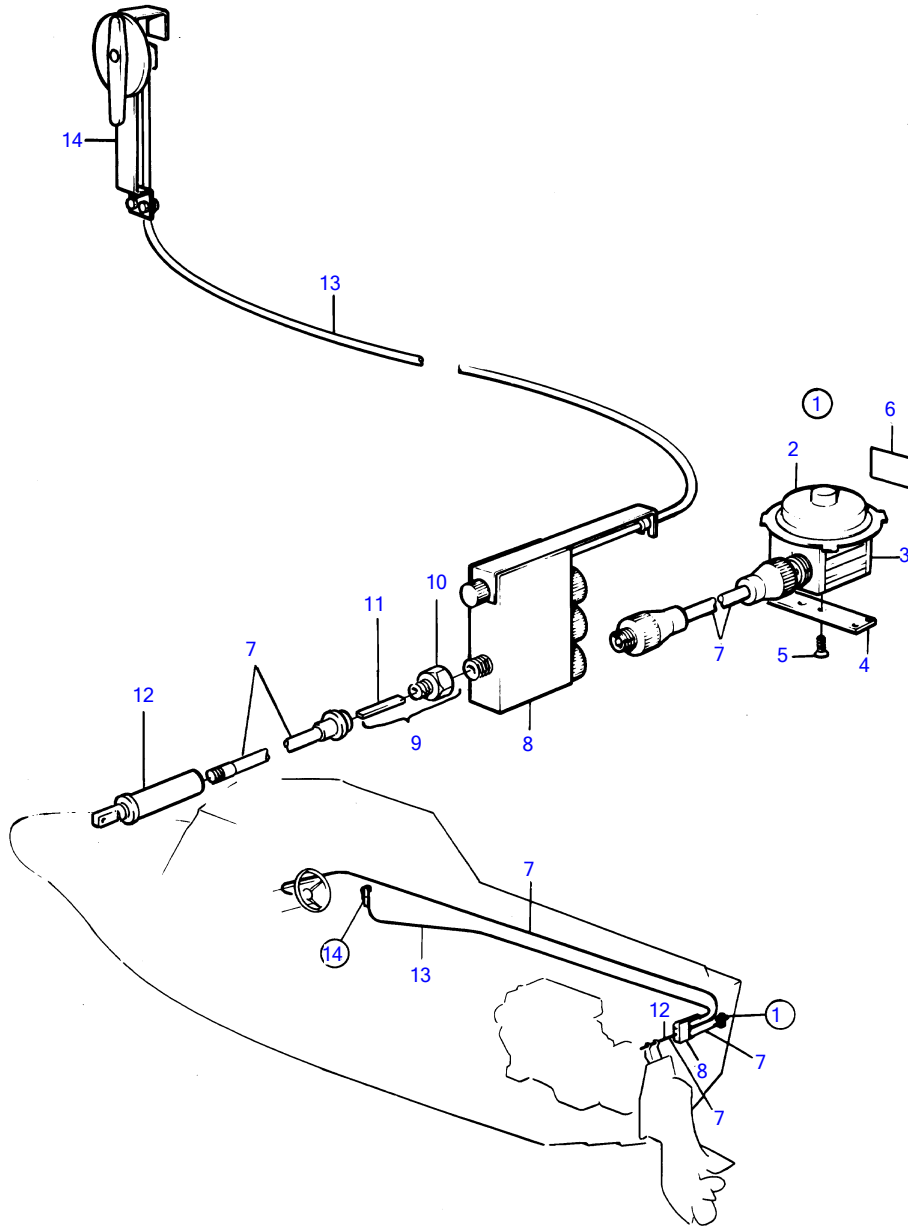


TMD41A, TMD41B, D41A, D41B, TAMD41A, TAMD41B, AQAD41A, AD41A, AD41B



7666

TMD41A, TMD41B, D41A, D41B, TAMD41A, TAMD41B, AQAD41A, AD41A, AD41B

REF	PART NO.	QTY	DESCRIPTION	SEE SEC.	NOTES
1	(852031)	1	Drive unit		12V, Obsolete part
2	(852032)	1	• Electrical motor		Repl by 852031, Obsolete part
3		1	• gear		
4		1	• bracket		
5		2	• screw		
6		1	• decal		
7		X	steering cable	19608	
				19609	
8	(851743)	1	Transfer gear	19608	Obsolete part
9	(853107)	1	Adapter kit		Obsolete part
10		1	• adapter	19609	
11	(853109)	1	• Shaft		Obsolete part
12		1	steering cylinder	19612	
13	825765	X	Choke control		L=3300mm alt
			Bulletin P-27-6-2	P-27-6-2-EN	End of Production - Stop Cables
13	825764	X	Choke control		L=6900mm alt
			Bulletin P-27-6-2	P-27-6-2-EN	End of Production - Stop Cables
14	(851744)	1	Control		Obsolete part