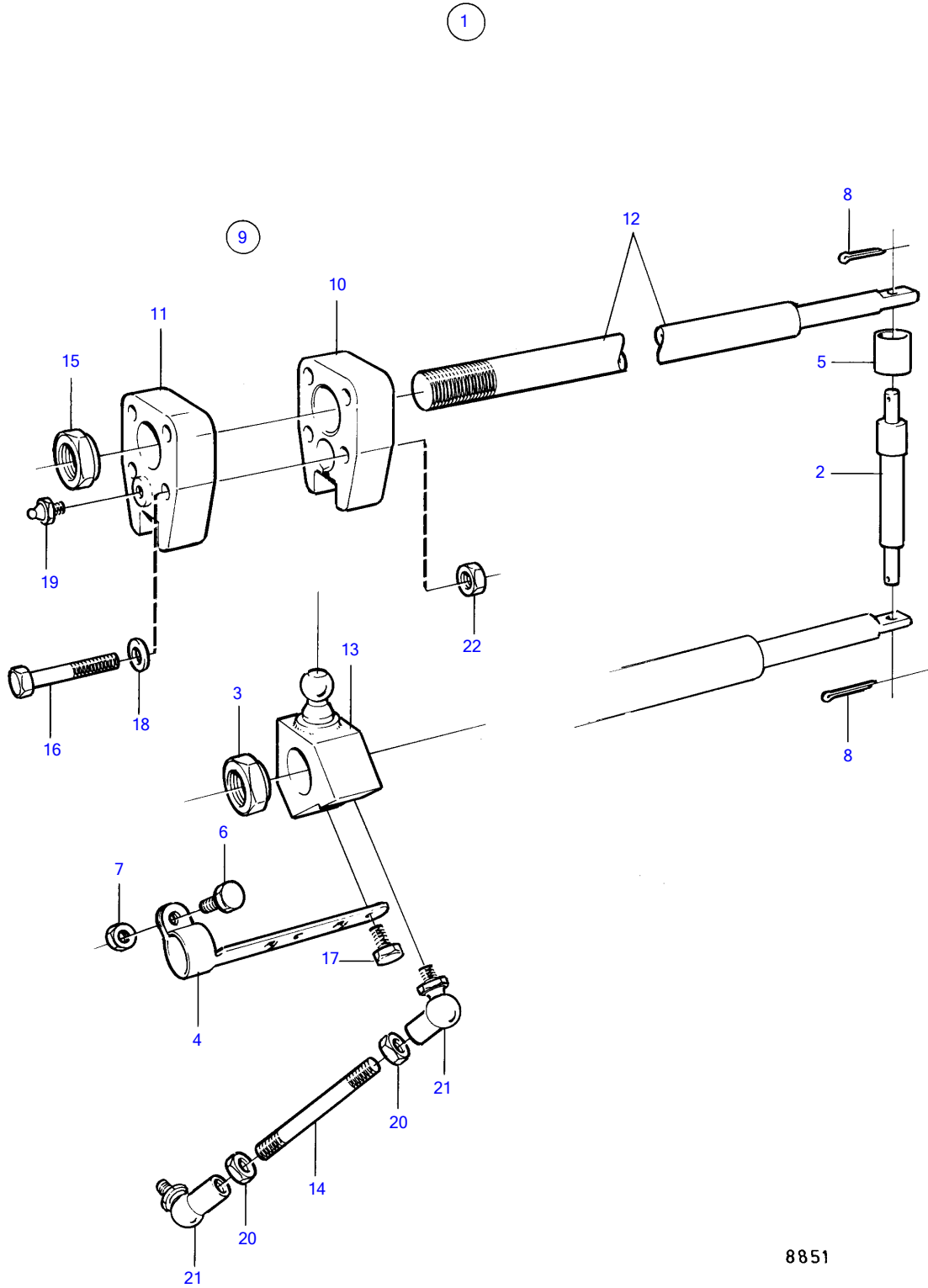


D41A, D41B, AQAD41A, AD41A, AD41B



8851

D41A, D41B, AQAD41A, AD41A, AD41B

REF	PART NO.	QTY	DESCRIPTION	NOTES
1	(828963)	1	Ds kit	Obsolete part
2		1	• bolt	
3		1	• nut	
4		1	• lock unit	
5	807183	1	• Spacer sleeve	
6	955272	1	• Hexagon screw	
7	963105	1	• Lock nut	
8	967707	2	• Split pin	
9		1	• DS unit	
10		1	• • attachment	
11		1	• • attachment	
12		1	• • attachment pipe	
13		1	• • bracket	
14		1	• • control rod	
15	853306	1	• • Nut	
16	940101	2	• • Hexagon screw	
17	940199	1	• • Hexagon screw	
18	949607	2	• • Spring washer	
19	951739	1	• • Lubricating nipple	
20	955782	2	• • Hexagon nut	
21	959080	2	• • Angle ball joint	
22	963105	2	• • Lock nut	