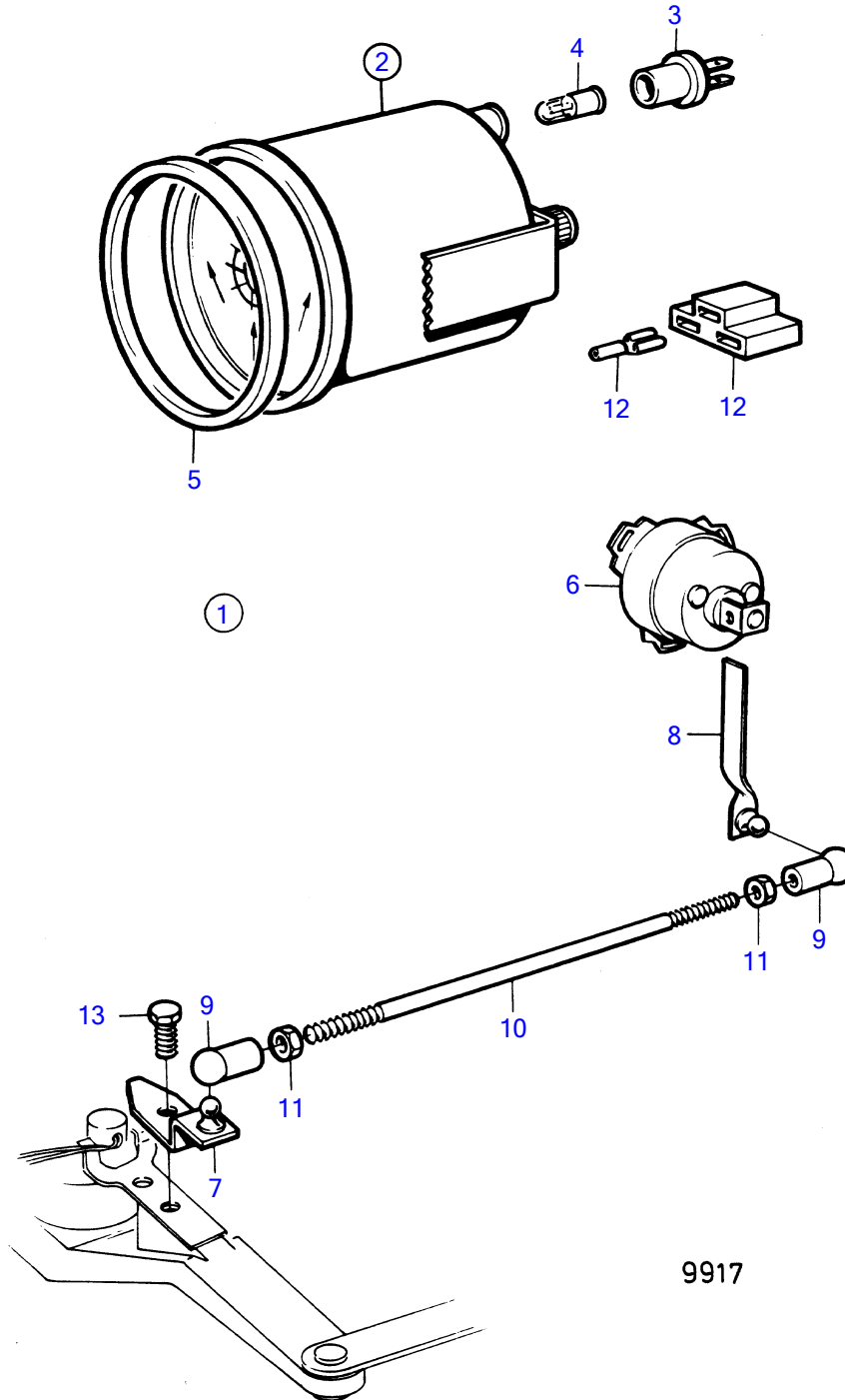


D41A, D41B, AQAD41A, AD41A, AD41B



D41A, D41B, AQAD41A, AD41A, AD41B

REF	PART NO.	QTY	DESCRIPTION	NOTES
1	858886	1	Rudder indicator kit	
2	863944	1	• Rudder indicator	(828698)
3	863945	1	• • Lamp socket	For rudder indicator instruments with part no 828698 should white bulb 19923 and bulb holder 808175 be installed
4	863946	1	• • Bulb	For rudder indicator instruments with part no 828698 should white bulb 19923 and bulb holder 808175 be installed, 12V, red
5	858643	1	• Front ring	White coloured decor stripe.
6	837772	1	• Position sensor	
7	853176	1	• Bracket	
8	853177	1	• Intermediate lever	
9	946704	1	• Ball socket	Left hand threads
	946703	1	• Ball socket	Right hand threads
10	943549	1	• Control rod	
11	942836	1	• Hexagon nut	Left hand threads
	955780	1	• Hexagon nut	Right hand threads
12		X	• cables and terminals	See group 3
13	940199	1	Hexagon screw	